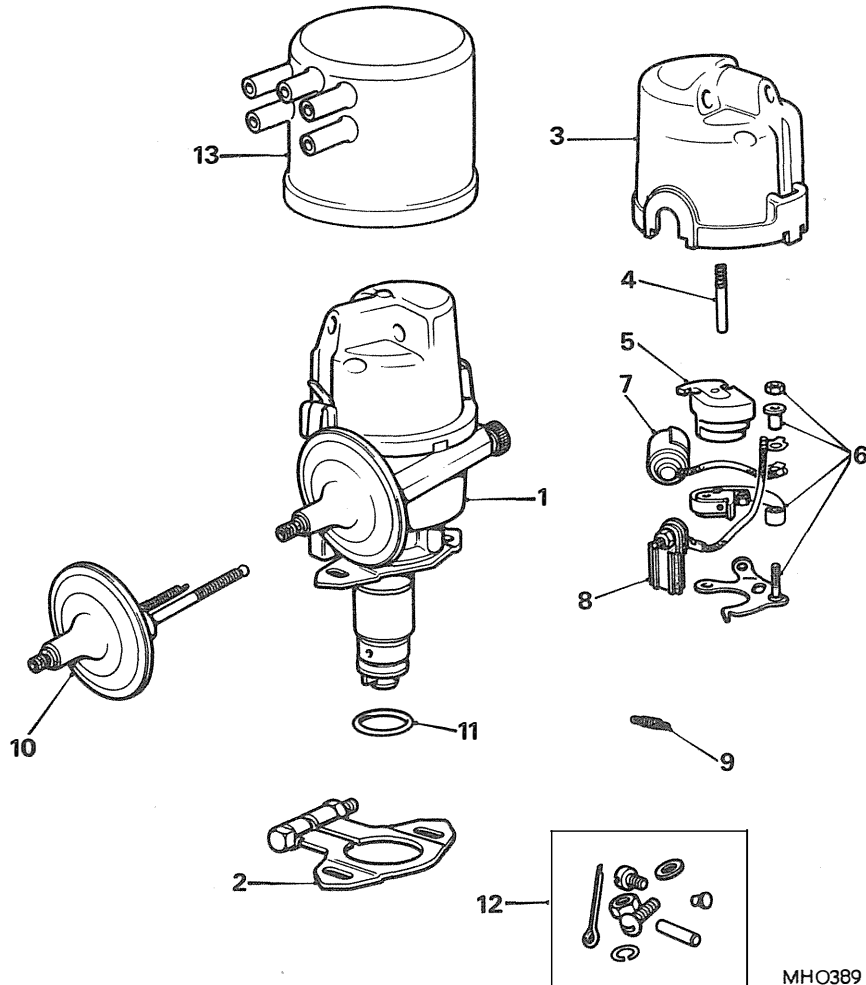


Ill. No.	Part No.	DESCRIPTION	Qty.	Change Point	REMARKS
----------	----------	-------------	------	--------------	---------

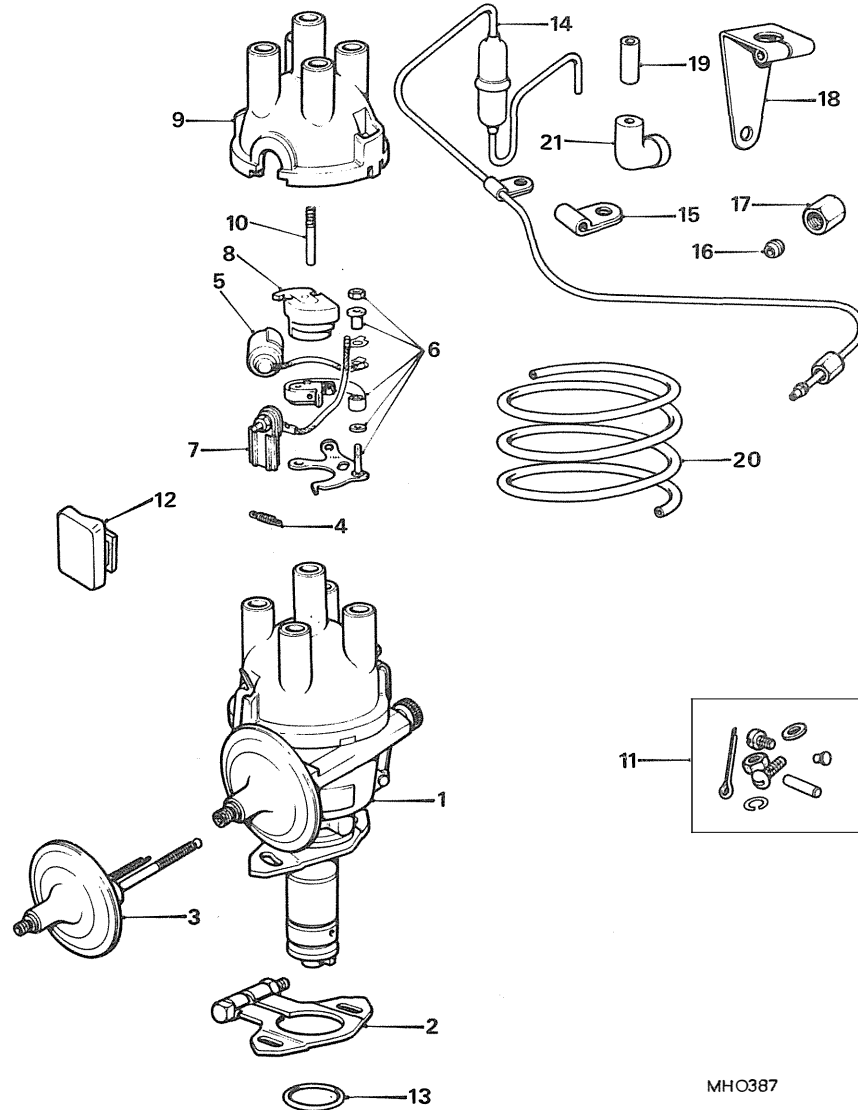
DISTRIBUTOR-NOT V8

1	12H 2894	DISTRIBUTOR ASSEMBLY A TO E- HC.....	1] Alternatives
2	3H 2138	Plate-clamping.....	1		
3	GDC 102	COVER ASSEMBLY	1	(E)18G/-/101 TO 31121	
4	17H 5065	Brush and spring	1	(E)18GA/-/H101 TO 71500	
5	GRA 101	Arm-rotor.....	1	(E)18GB/-/H101 TO 91200	
6	GCS 101	Contact breaker.....	1SET		
6	GCS 107	Contact breaker.....	1SET		
7	GSC 101	Condenser	1		
8	37H 2981	Terminal bush and lead.....	1		
9	17H 3577	Spring-automatic advance.....	1SET		
10	37H 4518	Vacuum unit.....	1		
11	27H 6547	'O'ring-oil seal B to D.....	1		
12	17H 5106 12H 2876	Sundry parts..... DISTRIBUTOR ASSEMBLY A TO E- LC.....	1SET NLA		
2	3H 2138	Plate-clamping.....	1] Alternatives
3	GDC 102	COVER ASSEMBLY	1		
4	17H 5065	Brush and spring	1		
5	GRA 101	Arm-rotor.....	1	(E)18G/-/L101 TO 31121	
6	GCS 101	Contact breaker.....	1SET	(E)18GA/-/L101 TO 17500	
6	GCS 107	Contact breaker.....	1SET	(E)18GB/-/101 TO 89610	
7	GSC 101	Condenser	1		
8	37H 2981	Terminal bush and lead.....	1		
10	17H 6673	Vacuum unit.....	1		
10	37H 4520	Vacuum unit.....	1	Use with 12H 2876	
11	27H 6547	'O'ring-oil seal B to E.....	1		
12	17H 5106	Sundry parts.....	1SET		
	SH 604061	Screw.....	2		
	PWZ 104	Washer-plain.....	2		
	LWZ 204	Washer-spring.....	2		
13	8G 726	Cover-distributor.....	2		



MHO389

NOTE:Reference must always be made to the suffix letter of the manufacturer's Part number stamped on the distributor to ensure ordering of correct component parts.

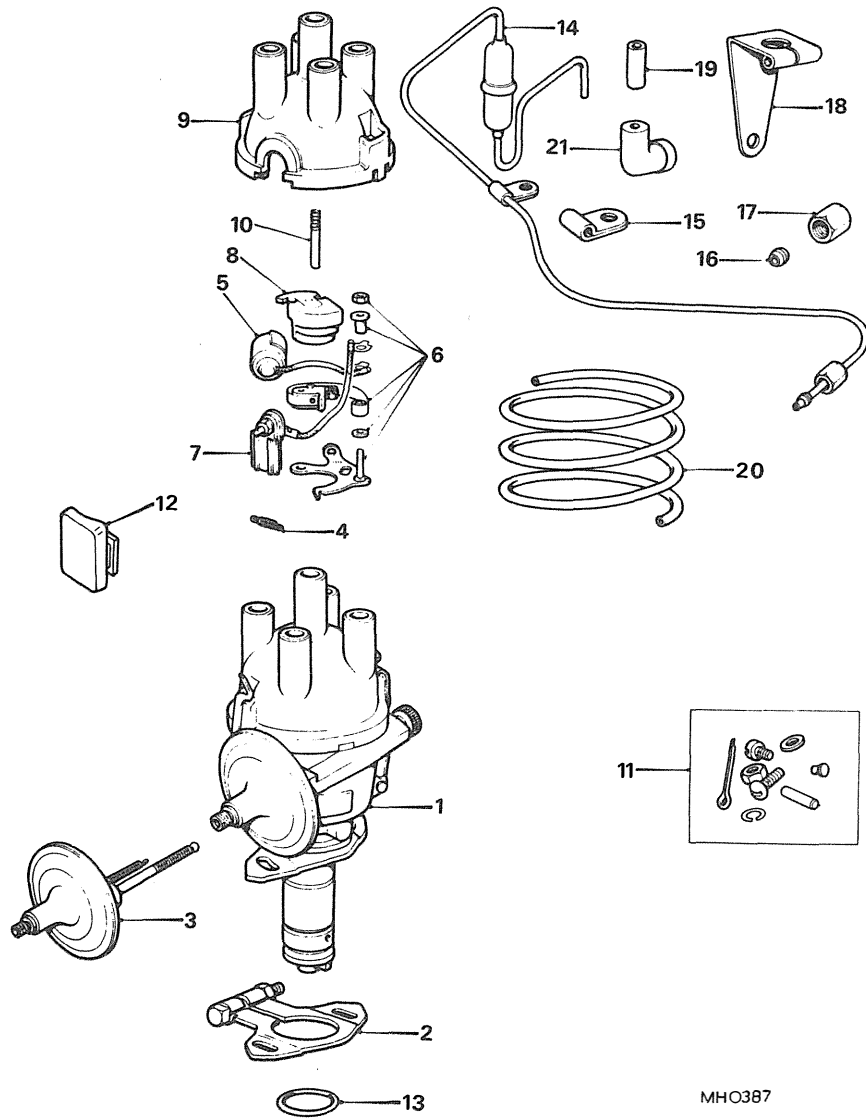


MHO387

III. No.	Part No.	DESCRIPTION	Qty.	Change Point	REMARKS
DISTRIBUTOR-NOT V8-continued					
1	12H 2894	DISTRIBUTOR-HC	1		Use with vacuum control pipe 12H 733
1	12H 2896	DISTRIBUTOR-LC	1		
2	3H 2138	Plate-clamping	1		
3	37H 4518	Unit-vacuum-HC	1		
3	17H 6673	Unit-vacuum-LC	1		Use with plastic vacuum control pipe 37H 4229
3	37H 4518	Unit-vacuum-HC	1	(E)18GD/-/101 TO 7000	Alternatives
3	37H 4520	Unit-vacuum-LC	1	(E)18GF/-/101 TO 13650	
4	17H 3577	Spring-automatic advance-HC	1SET		Alternatives
5	GSC 101	Condenser	1	(E)18GG/-/101 TO(+)	
6	GCS 101	Contact breaker	1SET		Alternatives
6	GCS 107	Contact breaker	1SET	(E)18GH/-/101 TO(+)	
7	37H 2981	Terminal bush and lead	1		Alternatives
8	GRA 101	Arm-rotor	1	(E)18GJ/-/101 TO(+)	
9	GDC 103	COVER-MOULDED	1		Alternatives
10	17H 5065	Brush and spring	1	(E)18V/581/101 ON	
11	17H 5106	Sundry parts	1SET	(E)18V/582/101 ON	Alternatives
	LWZ 204	Washer-spring	2	(E)18V/583/101 TO(+)	
	PWZ 104	Washer-plain	2		Alternatives
	SH 604061	Screw	2		
12	BMK 1989	Bush	2		Alternatives
1	32H 809	DISTRIBUTOR ASSEMBLY	1		
2	3H 2138	Plate-clamping	1		Alternatives
13	27H 6547	'O' ring	1		
3	37H 4520	Unit-vacuum	1		Alternatives
4	37H 3786	Spring-automatic advance	1		
5	47H 5250	Condenser	1		Alternatives
6	GCS 101	Contact breaker	1SET	(E)18V/779/H101 ON	
7	37H 2981	Terminal-bush and lead	1		Alternatives
8	GRA 101	Arm-rotor	1	(E)18V/780/H101 ON	
9	GDC 103	COVER ASSEMBLY-MOULDED	1		Alternatives
10	17H 5065	Brush and spring	1		
	LWZ 204	Washer-spring	2		Alternatives
	PWZ 104	Washer-plain	2		
	SH 604061	Screw	2		Alternatives
12	BMK 1989	Bush	2		
1	12H 3580	DISTRIBUTOR ASSEMBLY-HC	1		Alternatives
2	3H 2138	Plate-clamping	1		
9	GDS 103	COVER ASSEMBLY-MOULDED	1		Alternatives
10	17H 5065	Brush and spring	1		
8	GRA 101	Arm-rotor	1		Alternatives
6	GCS 101	Contact breaker	1	(E)18GK/-/101 TO(+)	
5	GSC 101	Condenser	1		Alternatives
7	37H 2981	Terminal-bush and lead	1		
3	37H 3840	Unit-vacuum	1		Alternatives
11	17H 5106	Kit-sundry parts	1		

(+) Change point not available.

MGB

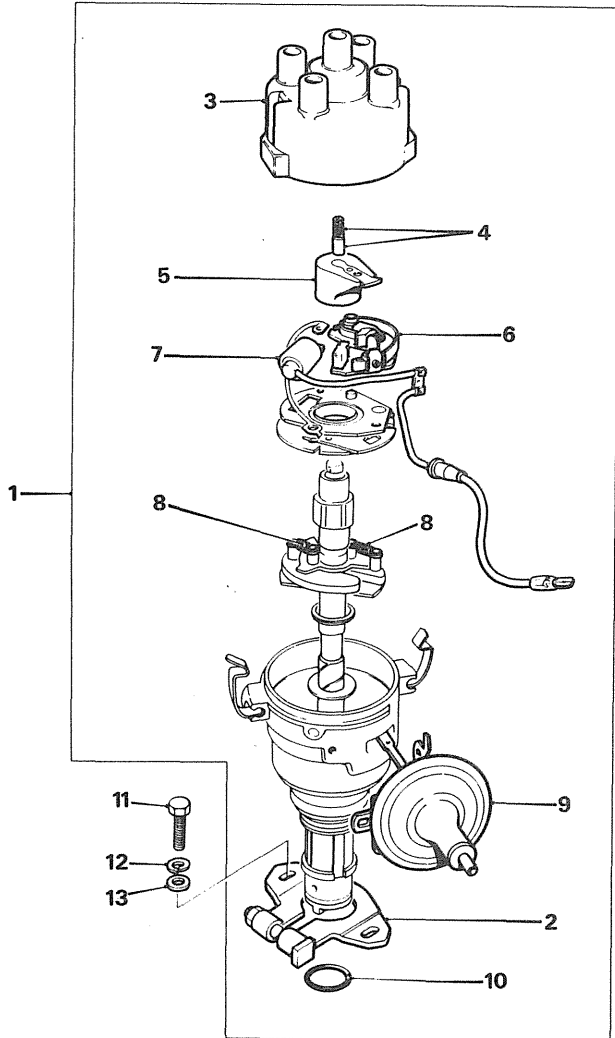


MHO387

MGB-TOURER,GT AND V8-UPTO SEPTEMBER 1976

Ill. No.	Part No.	DESCRIPTION	Qty.	Change Point	REMARKS
DISTRIBUTOR-NOT V8-continued					
1	12H 3967	DISTRIBUTOR ASSEMBLY-LC	1		(E)18V/584Z/101 TO(+) (E)18V/585Z/101 TO(+) (E)18V/672Z/L101 ON (E)18V/673Z/L101 ON
2	3H 2138	Plate-clamping	1		
9	GDC 103	COVER ASSEMBLY-MOULDED	1		
10	17H 5065	Brush and spring	1		
8	GRA 101	Arm-rotor	1		
6	GCS 101	Contacts	1		
5	GSC 101	Condenser	1		
7	37H 2981	Terminal bush and lead	1		
4	37H 7235	Spring-automatic advance	NLA		
3	37H 7236	Unit-vacuum	1		
1	12H 4399	DISTRIBUTOR ASSEMBLY-LC	1		
2	3H 2138	Plate-clamping	1		
9	GDC 103	COVER ASSEMBLY-MOULDED	1		
10	17H 5065	Brush and spring	1		
8	GRA 101	Arm-rotor	1		
6	GCS 101	Contact set	1		
5	GSC 101	Condenser	1		
7	37H 2981	Terminal-bush and lead	1		
4	57H 5402	Spring-automatic advance	NLA		
3	37H 7837	Unit-vacuum	1		
13	27H 6547	O'ring-oil seal	1		

(+) Change point not available.



MHO555

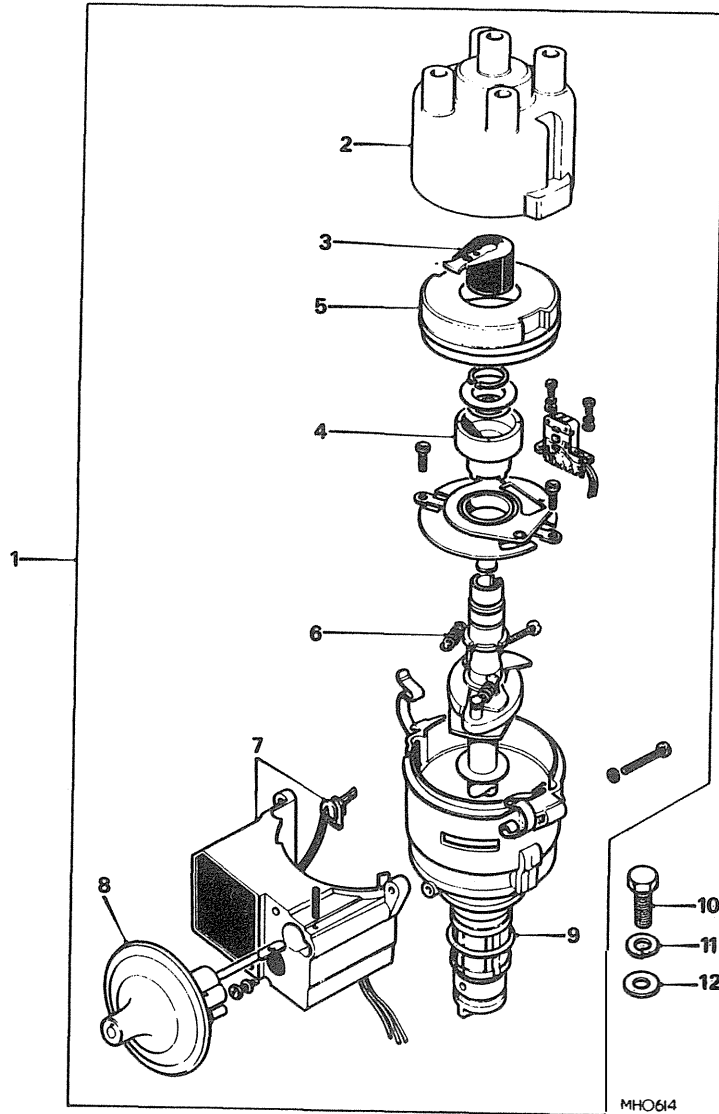
III. No.	Part No.	DESCRIPTION	Qty.	Change Point	REMARKS
----------	----------	-------------	------	--------------	---------

DISTRIBUTOR-NOT V8-continued

1	13H 9694	DISTRIBUTOR ASSEMBLY-HC.....	1		(E)18V/846/H101 ON (E)18V/847/H101 ON
3	GDC 136	Cover-moulded.....	1		
5	GRA 114	Rotor-arm.....	1		
6	GCS 118	Contact set.....	1		
7	GSC 110	Condenser and lead.....	1		
9	AAU 2233	Vacuum unit.....	1		
10	27H 6547	O'ring.....	1		
1	13H 9508	DISTRIBUTOR ASSEMBLY-45D.....	1		
2	37H 8832	Plate-clamping.....	1		
3	GDC 132	COVER-MOULDED.....	1		
4	37H 8230	Brush and spring.....	1		(E)18V/797AE/101 ON (E)18V/798AE/101 ON N.America.Federal
5	GRA 114	Rotor arm.....	1		
6	GCS 118	Contact set.....	1		
7	GSC 110	Condenser and lead.....	1		
8	37H 8833	Spring-automatic advance.....	1SET		
9	37H 8290	Vacuum unit.....	1		
10	27H 6547	O'ring.....	1		
11	SH 604061	Screw.....	2		
12	LWN 204	Washer-spring.....	2		
13	PWZ 104	Washer-plain.....	2		

MGB

MGB TOURER AND GT

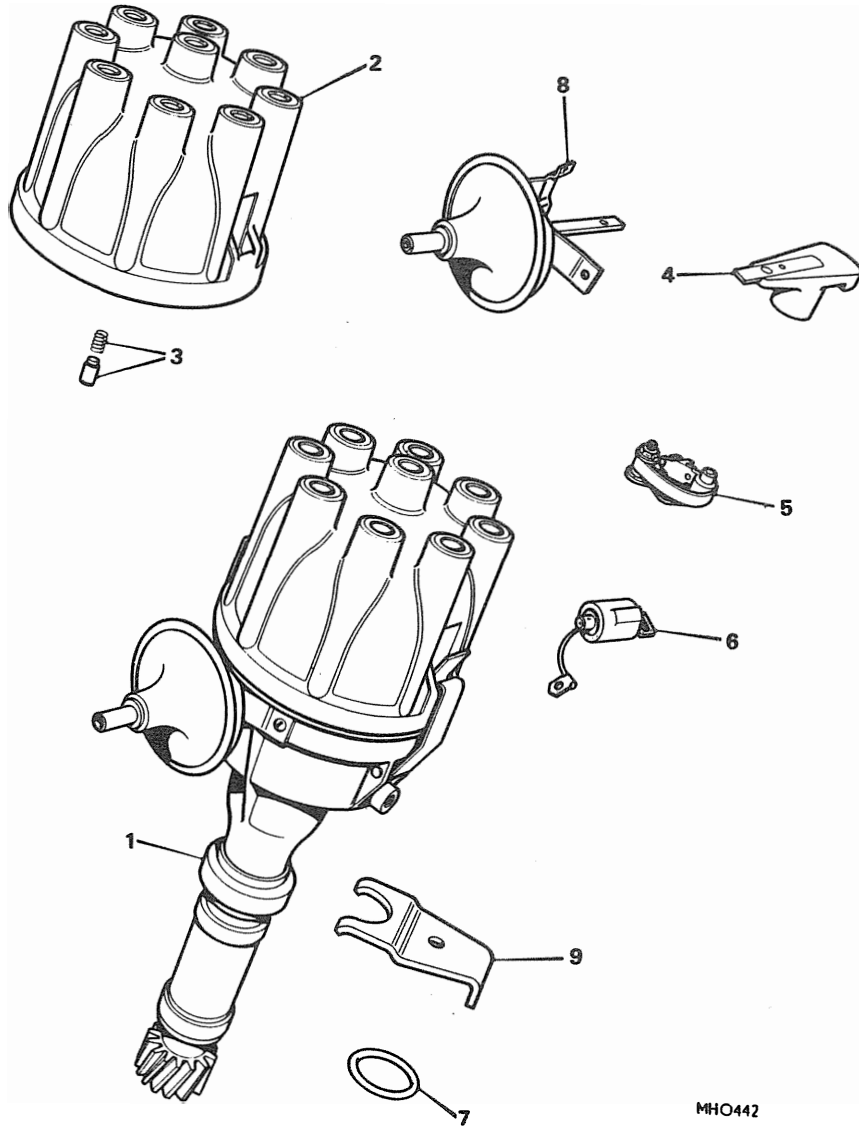


Ill. No.	Part No.	DESCRIPTION	Qty.	Change Point	REMARKS
----------	----------	-------------	------	--------------	---------

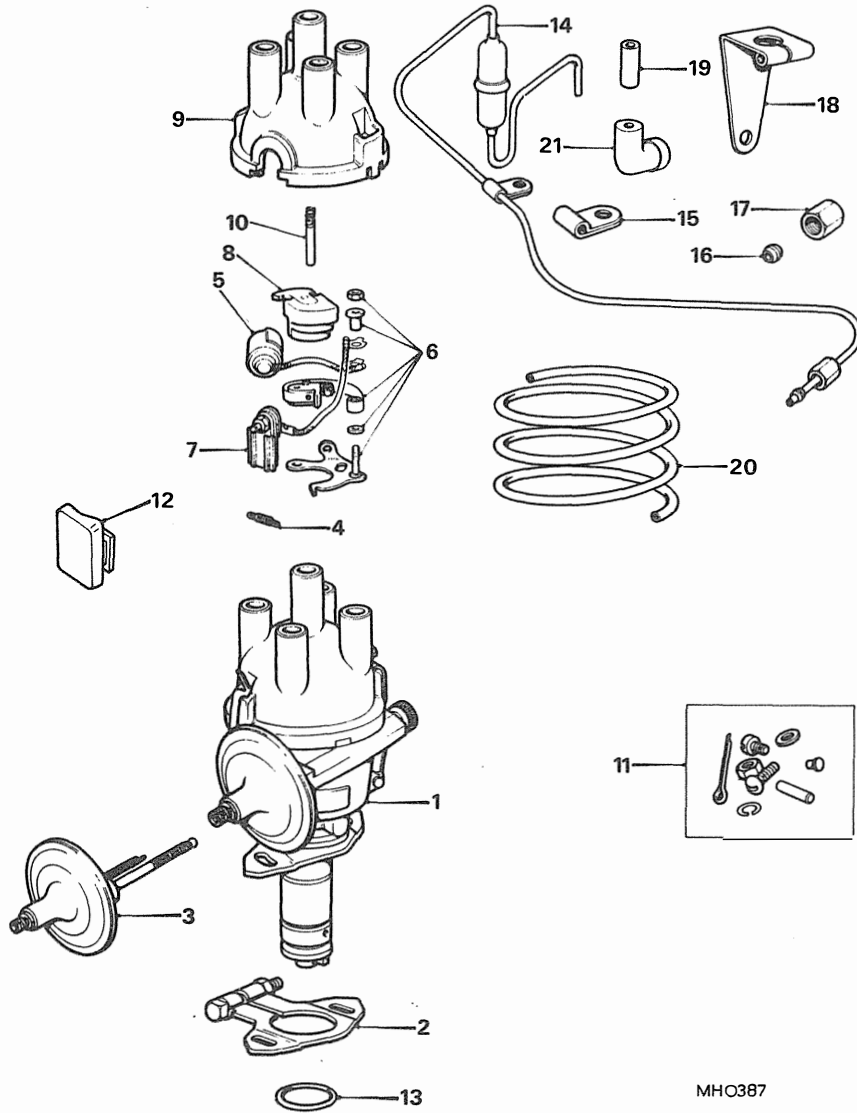
DISTRIBUTOR-CALIFORNIAN ONLY

CAM 1173		DISTRIBUTOR ASSEMBLY	1		
37H 8827		Cover.....	1		
GRA 114		Rotor arm.....	1		
RTC 1739		Rotor assembly-timing	1		
RTC 1738		Cover-anti-flash	1		
37H 8828		Spring-set	1		
37H 8829		Module-eletronic.....	1		
37H 8830		Vacuum unit.....	1		
27H 6547		'O' ring.....	1		
SH 604061		Screw	2		
LWN 204		Washer-spring	2		
PWZ 104		Washer-plain.....	2		

(E)18V/80 1AE/101 ON
(E)18V/802AE/101 ON
N.America
California

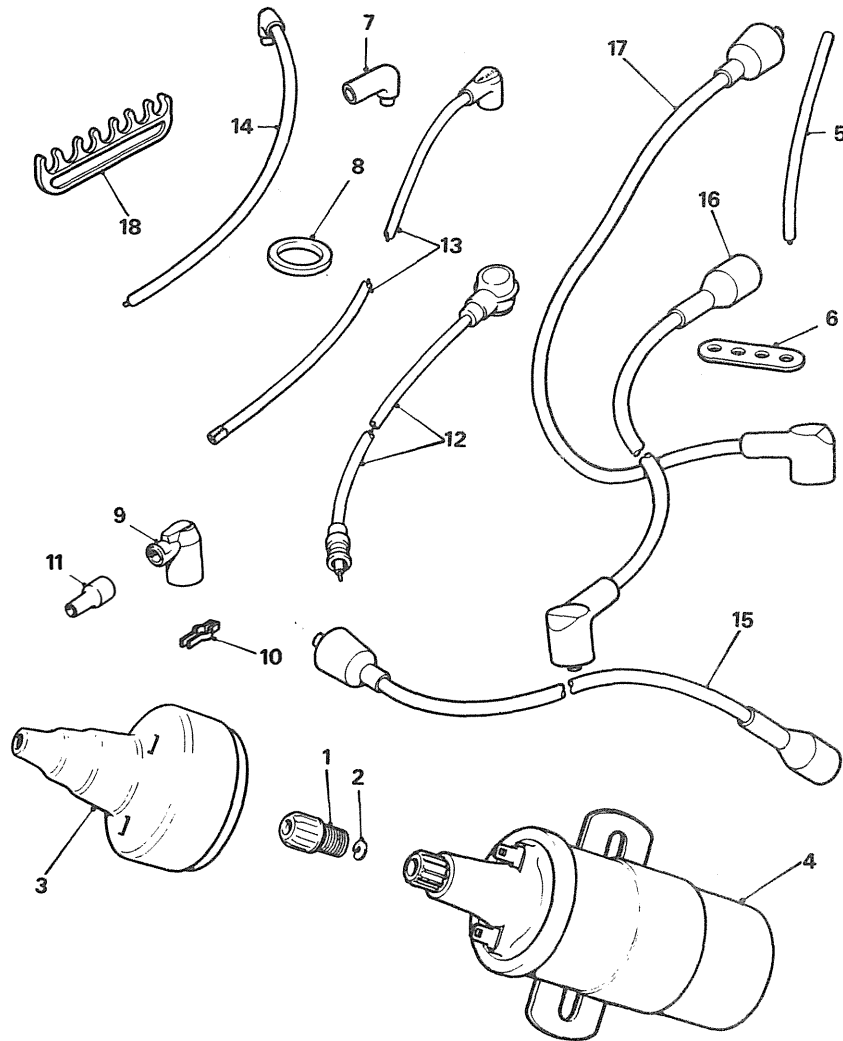


Ill. No.	Part No.	DESCRIPTION	Qty.	Change Point	REMARKS
DISTRIBUTOR-V8					
1	614033	DISTRIBUTOR ASSEMBLY	1		
2	GDC 117	COVER ASSEMBLY-MOULDED	1		
3	37H 8024	Brush and spring	1		
4	GRA 112	Arm-rotor	1		
5	GCS 117	Contact set	1		
6	GSC 108	Condenser	1		
7	27H 6547	'O' ring-oil seal.....	1		
8	37H 8027	Vacuum unit.....	1		
9	602397	Clamp.....	1		
	SH 506081	Bolt-distributor to front cover	1		



MHO387

Ill. No.	Part No.	DESCRIPTION	Qty.	Change Point	REMARKS
VACUUM CONTROL					
14	12H 733	PIPE-IGNITION CONTROL.....	1		Not V8
15	12H 90	Clip.....	1		
16	6K 649	Olive-distributor end.....	1		
17	6K 650	Nut-distributor end.....	1		
18	11H 841	Clip-fuel trap mounting.....	1		
	PMZ 216	Bolt.....	NLA		
	PWZ 102	Washer-plain.....	1		
	CNZ 102	Nut.....	1		
19	ACH 9041	Connection-carburetter end (rubber).....	1		
20	37H 4229 M	Pipe-ignition control(plastic) 28.62".....	1		
21	12B 2095	Connection.....	2/1		Supplied in multiples of metres Quantity reduced for(E)18V engines
21	12B 2062	Connection.....	1	(E)18V/-/101 ON (E)48600001 ON	

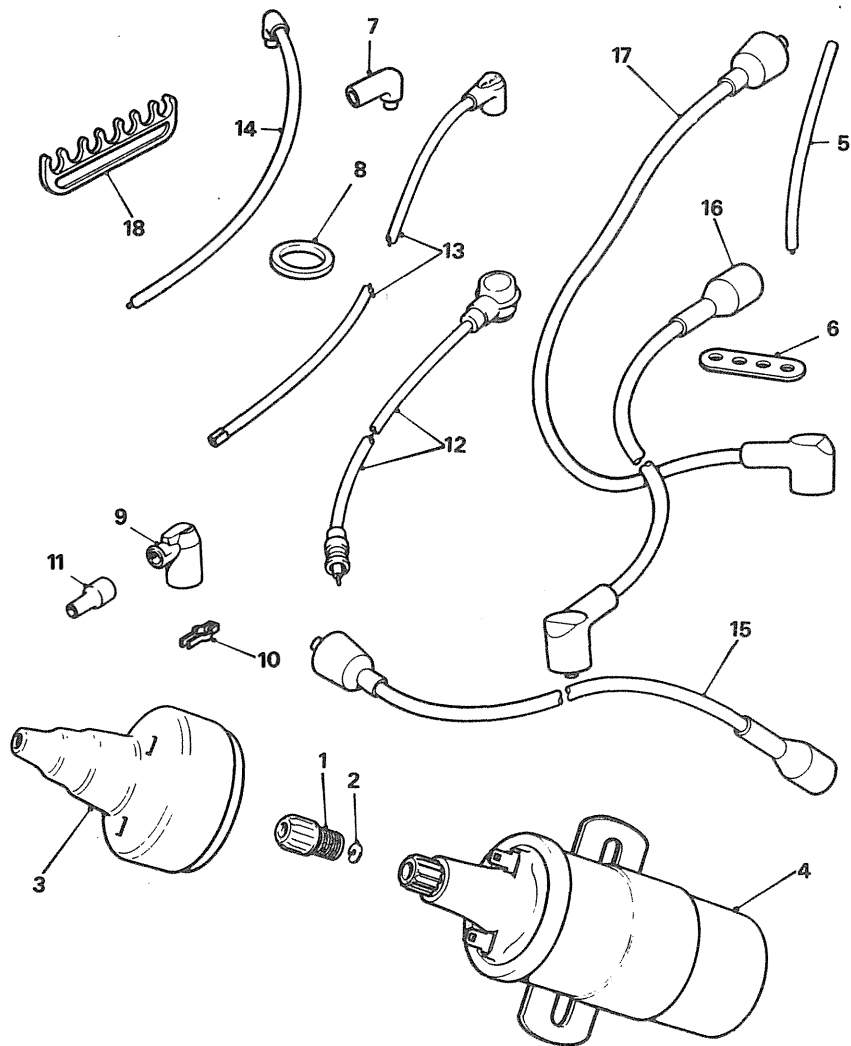


MHO233B

Ill. No.	Part No.	DESCRIPTION	Qty.	Change Point	REMARKS		
IGNITION COIL AND CABLES-NOT V8							
1	3H 2695	Nut-terminal.....	1	(E)18G/-/101 TO 31121 (E)18GA/-/101 TO 17500 (E)18GB/-/101 TO 91200	To service AJR 211.Now use GCL 101		
2	3H 2696	Washer.....	1				
	HZS 405	Screw.....	2				
	PWZ 204	Washer-plain.....	2				
	LWZ 204	Washer-spring.....	2				
	FNZ 104	Nut.....	2				
3	8G 727	Cover-ignition coil-non-vented.....	1			Canadian market only	
4	GCL 101	Coil-ignition.....	1			(E)18G/-/101 TO 31121 (E)18GA/-/101 TO 17500 (E)18GB/-/101 TO 91200 (E)18GD/-/101 TO 7000 (E)18GF/-/101 TO 13650 (E)18GG/-/101 TO(+) (E)18GH/-/101 TO(+) (E)18GJ/-/101TO(+) (E)18GK/-/101 TO(+) (E)18V/-/101 ON	Supplied in 30 metre (100') rolls
	GCL 111	Coil-ignition-ballasted.....	1				
	HZS 404	Screw-coil to valance.....	2				
5	AAA 5981 M	Cable-ignition.....	A/R				
6	1G 2673	Spacer-4-way-ignition cables.....	NLA				
7	3H 1422	Suppressor-ignition cable.....	4				
8	2H 35	Ring-rubber-ignition cables.....	1				
9	WC 200	CAP ASSEMBLY-WATERPROOF SPARKING PLUG.....	4				
10	7H 6894	Clip-plug-cable end.....	4				
11	8G 728	Sleeve-sealing.....	4				

(+) Change point not available.

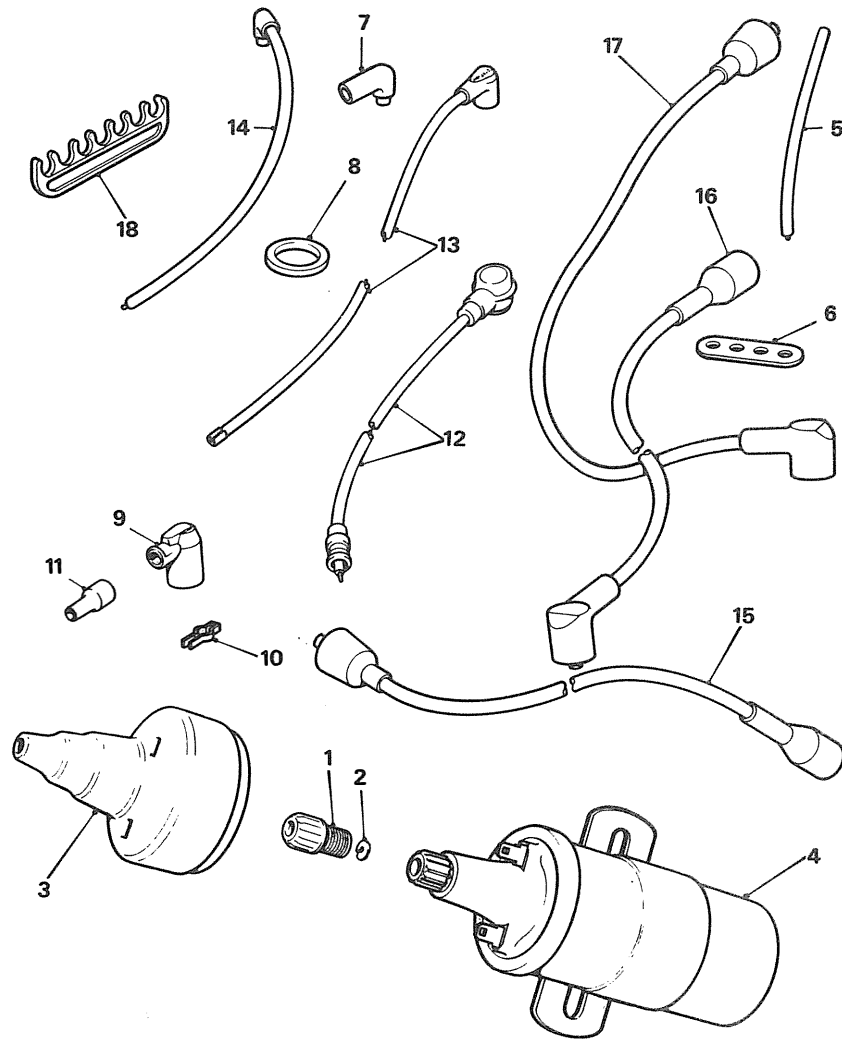
MGB



MHO233B

MGB TOURER AND GT

III. No.	Part No.		DESCRIPTION	Qty.	Change Point	REMARKS
IGNITION COIL AND CABLES-NOT V8-continued						
CABLE-IGNITION-COMPLETE						
12	12H 3346		No.1 plug-15"(38.1cm)	1		Use with vertical OUTLET DISTRIBUTOR CAP
12	12H 3347		No.2 plug-14"(35.56cm)	1		
12	12G 2525		No.3 plug-9.5"(24.13cm)	1		
12	12H 3348		No.4 plug-11.5"(29.21cm)	1		
5	32H 352		Coil-11.5"(29.21cm)	1		Use with side ENTRY DISTRIBUTOR CAP Supplied in 30 metre (100') rolls
13	8G 2630		No.1 plug-14"(35.6cm)	1		
14	8G 2629		No.2 plug-11"(27.9cm)	1		
14	8G 2628		No.3 plug-8.5"(21.6cm)	1		
14	8G 2629		No.4 plug-11"(27.9cm)	1		
5	AAA 5981 M		Coil-10"(25.4cm)	1		
SPECIAL SUPPRESSED CABLES-FRANCE						
CABLE IGNITION						
14	12H 1279		No.1 plug.....	1		French market ONLY
14	BMK 606		No.2 plug.....	1		
14	12G 348		No.3 plug.....	1		
5	12H 350		Coil	1		



MHO233B

Ill. No.	Part No.	DESCRIPTION	Qty.	Change Point	REMARKS
IGNITION COIL AND CABLES-V8					
4	GCL 111	Coil-ignition.....	1		
	HZS 405	Screw.....	2		
	PWZ 204	Washer-plain.....	4		
	LWZ 204	Washer-spring.....	2		
IGNITION CABLES					
15	614769	Lead No.1.....	1		
16	614770	Lead No.2.....	1		
	90611623	Lead No.3.....	1		
	90614772	Lead No.4.....	1		
	614773	Lead No.5.....	1		
	611626	Lead No.6.....	1		
	611627	Lead No.7.....	1		
	614776	Lead No.8.....	1		
17	614768	Lead-coil to distributor.....	1		
18	603673	Spacer-plug.....	1		
	BHH 1568	Shield-heat-HT leads-Nos.1,2,3, 4,5,6.....	6		