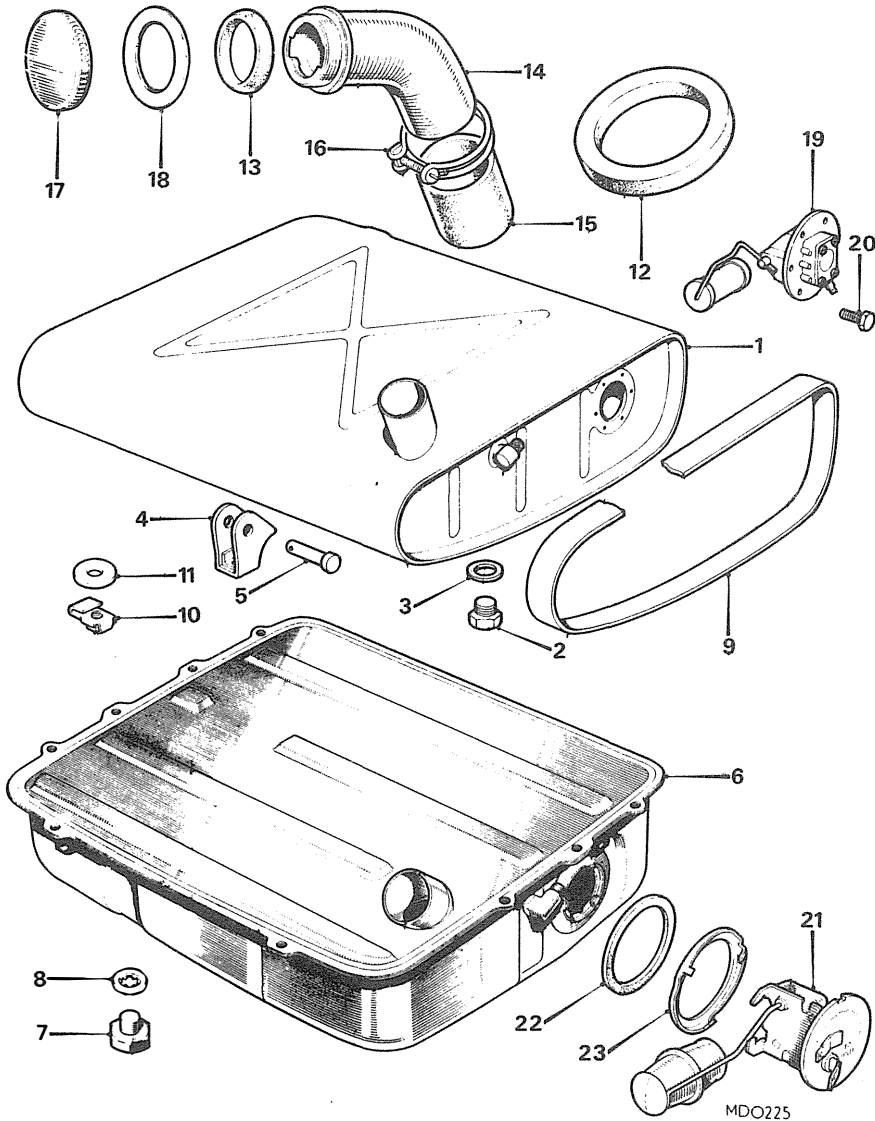


Ill. No.	Part No.	DESCRIPTION	Qty.	Change Point	REMARKS
----------	----------	-------------	------	--------------	---------

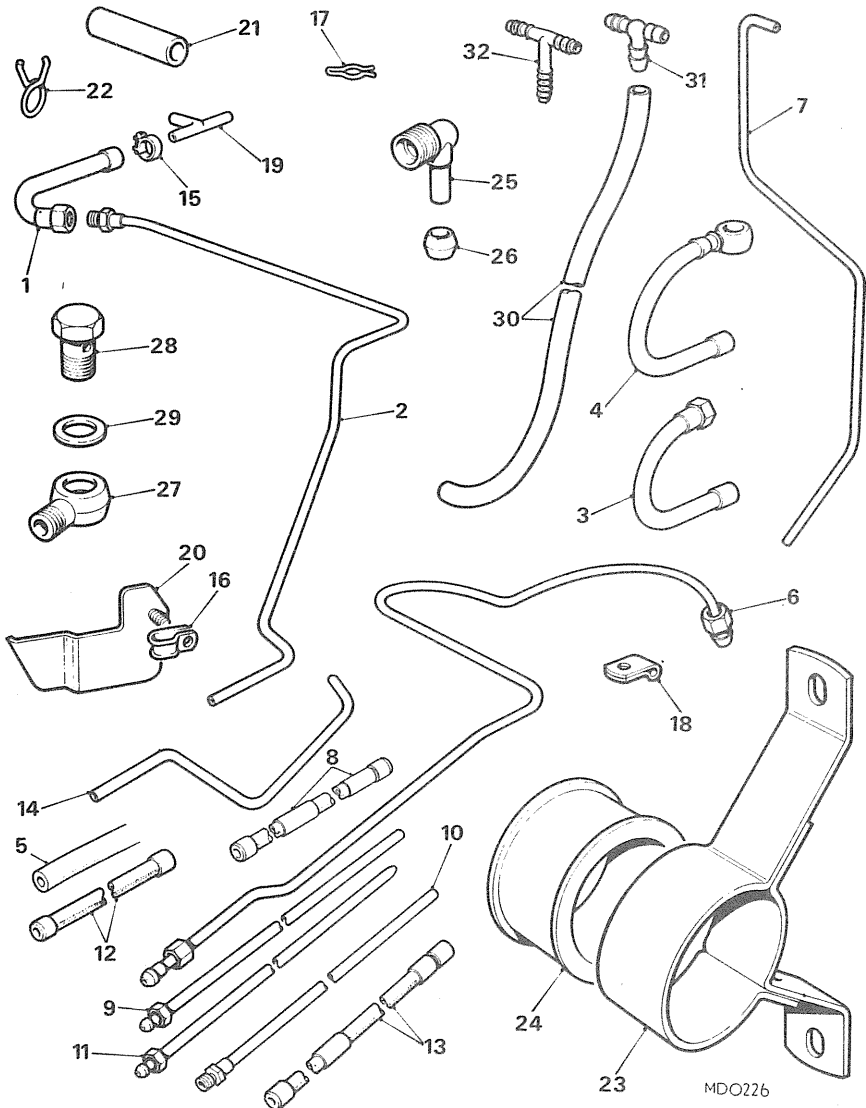
**FUEL TANK-LESS EVAPORATIVE LOSS CONTROL EQUIPMENT-NOT V8**

1	ARH 176	TANK ASSEMBLY-FUEL-10 GAL (45.4 LITRE)CAPACITY	NLA		(B)MGB-101 TO 56742(LESS 56360 AND 56361)
2	ARO 4566	Plug-drain	NLA		
3	ARH 1499	Washer	1		
4	AHH 6257	Hanger and stiffener-rear	2		
5	CLZ 427	Pin-clevis	4		
	PWZ 104	Washer-plain	4		
	HBZ 418	Bolt	2		
	PWZ 104	Washer-plain	2		
	LNZ 104	Nut	2		
6	NRP 2	TANK ASSEMBLY-FUEL-12.7 GAL (58.5 LITRE)CAPACITY \$	1		
	NRP 1132	TANK ASSEMBLY-FUEL-12.7 GAL (58.5 LITRE)CAPACITY \$	NLA		(C)G-HN5,G-HD5- 386601 TO 410000.
					Use NRP 2 for this application together with 1 off hose BHH 191 and 1 off filler AHH 6281
7	ARH 672	Plug-drain	1		(B)MGB-56743 TO 110292 (C)G-HN4-138401 TO 187210 (C)G-HN5-187211 TO 410000. (B)GBD-101 TO 22000 (C)G-HD4-139472 TO 187840 (C)G-HD5-187841 TO 410000.
8	ARA 967	Washer	1		
9	AHH 7386	Strip-packing-tank(rubber)	4		
	HZS 506	Screw-tank to boot floor	5		
10	34G 523	Nut-retainer	5		
11	AHH 7513	Washer-large(fibre)	4		
	FNZ 105	Nut	4		
	WL 600051	Washer-spring	4		
	AHH 7388	Seal-tank to boot floor (rubber)	1		
13	AHH 6268	Ferrule-filler neck(rubber)	1		
13	BHH 1937	Ferrule-filler neck(rubber)	1		(C)G-HN5-392766 TO 410000. (C)G-HD5-394476 TO 410350.
					Use prior to CHA 444/BHH 1886
14	AHH 6281	Tube-fuel filler \$	1		(C)G-HN5,G-HD5- 386601 TO 410000.
15	BHH 191	Hose-filler connection \$	1		
14	CHA 444	Tube-fuel filler	1		
15	BHH 1886	Hose-filler-connection \$	1		
16	GHC 1622	Clip	2		
17	18G 8601	CAP ASSEMBLY-FILLER	1		
18	27H 3573	Seal-filler \$	1		
19	BHA 4292	Unit-tank gauge	NLA		(C)G-HN3-101 TO 48765
20	ARG 923	Screw-unit to tank	6		
21	ARA 966	Unit-tank gauge \$	1		
22	ARA 1502	Ring-sealing-unit	1		
23	ARA 1501	Ring-locking-unit	1		

When locking  
RING FITTED.



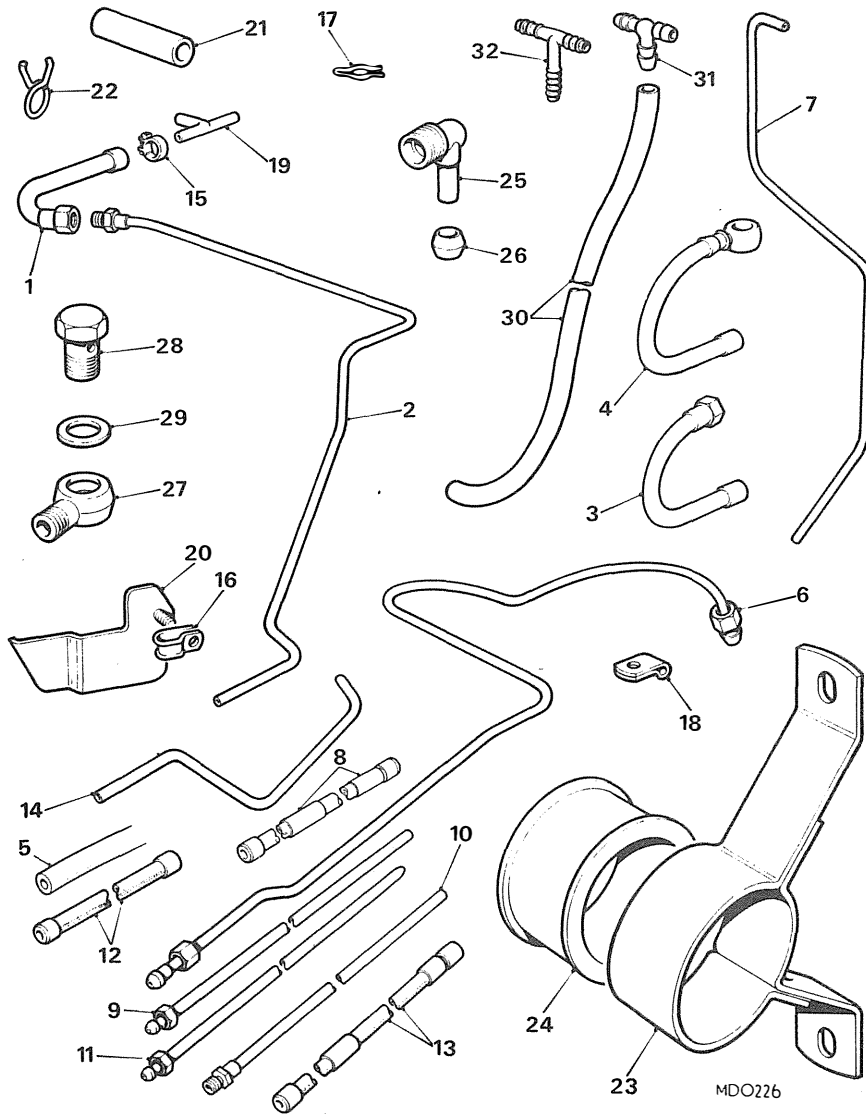
\$ This item is subject to safety regulations.



Ill. No.	Part No.	DESCRIPTION	Qty.	Change Point	REMARKS
<b>FUEL PIPES-NOT V8 FOR CARS LESS EVAPORATIVE LOSS CONTROL.</b>					
1	AHH 6707	Pipe-main pipe to carburetter (flexible) \$	1	Use prior to BHH 641	Finished for N.American vehicles at (C)G-HN5-187210 (Tourer). (C)G-HD5-187840 (GT).
8	BHH 641	Pipe-filter to front carburetter(flexible)	1		
2	AHH 6995	Pipe-pump to carburetter \$	1	Use prior to 37H 7149 M	
3	AHH 6996	Pipe-pump to main pipe flexible	1		
4	AHH 7371	Pipe-pump to main pipe flexible \$	1	Use prior to 37H 7149 M	
2	AHH 6995	Pipe-main feed to flexible	1		
5	37H 4760 M	Pipe-fuel-carburetter to carburetter(flexible)39cm(15")	A/R	Use prior to 37H 7149 M	
6	AHH 6703	Pipe-pump to tank	1		
7	12H 1251	Pipe-overflow-front carburetter \$	1	Use prior to 37H 7149 M	
7	12H 1252	Pipe-overflow-rear carburetter \$	1		
9	BHH 135	Pipe-main feed to filter	1	Use prior to 37H 7149 M	
37H 7149 M		Pipe-main feed-pump flex to filter flex-259.1cm(102.5") long-RHD	1		
37H 7149 M		Pipe-main feed-pump to flex to extension pipe flex-259.1cm(102.5")long-LHD	1	Use prior to 37H 7149 M	
37H 7148 M		Pipe-extension-filter flex to carburetter feed-45.7cm(18") long-RHD	1		
37H 7149 M		Pipe-extension-main feed flexible to filter flexible-73.7cm(29")long-LHD	1	Use prior to 37H 7149 M	
37H 7148 M		Pipe-filter to carburetter 45.7cm(18")long-RHD	1		
37H 7615 M		Pipe-filter to carburetter 38.1cm(15")long-LHD	1	Use prior to 37H 7149 M	
4	AHH 7371	Pipe-flexible-pump inlet and outlet	2		
37H 7149 M		Pipe-tank to pump 35.6cm(14")long	1		

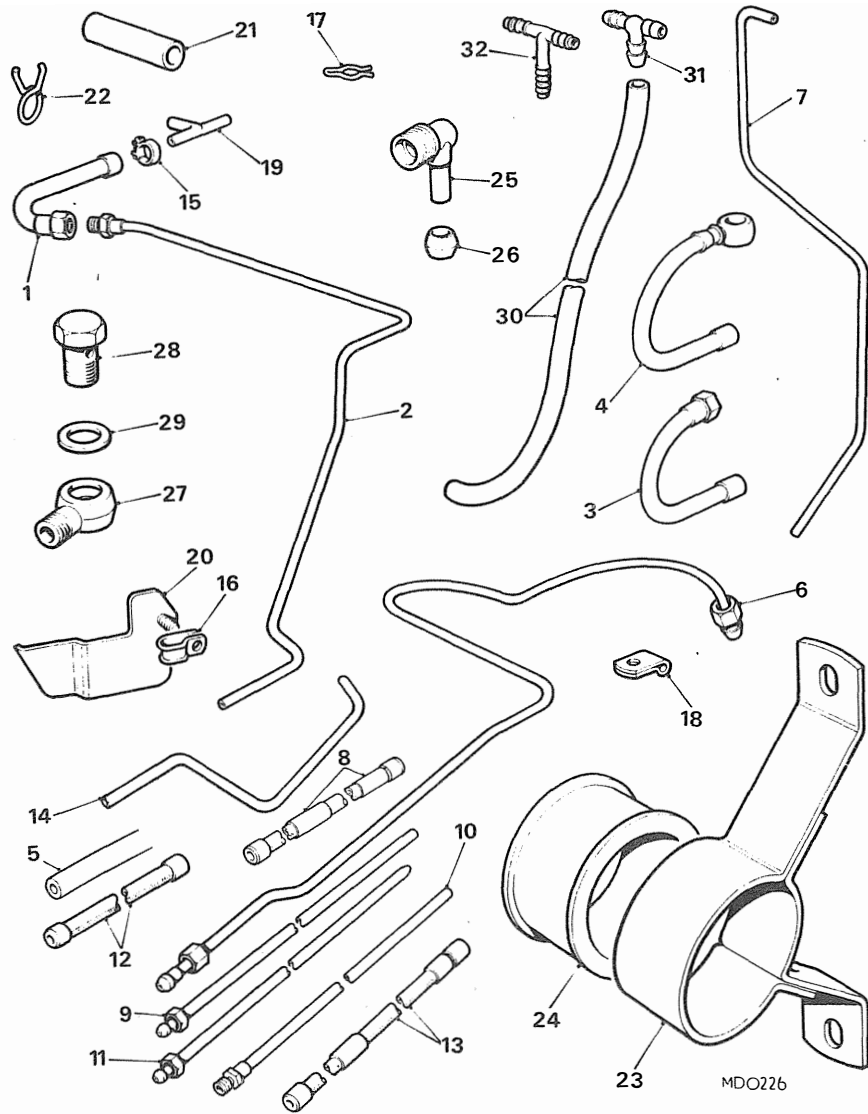
NOTE (1).  
Part numbers listed with suffix letter 'M' are supplied in multiples of metres(39.37').

\$ This item is subject to safety regulations.



Ill. No.	Part No.	DESCRIPTION	Qty.	Change Point	REMARKS	
<b>FUEL PIPES-NOT V8 FOR CARS LESS EVAPORATIVE LOSS CONTROL-continued.</b>						
4	AHH 7371	Pipe-pump to main pipe (flexible) \$	1		(C)G-HN5 187211 TO 219000 (C)G-HD5 187841 TO 219000 (North America)	
6	AHH 6703	Pipe-pump to tank	1			
10	AHH 6995	Pipe-fuel pump hose to front hose	1			
11	BHH 150	Pipe-mainfeed to front hose	1			
12	AHH 9655	Pipe-mainfeed pipe to front carburetter(flexible)	1			
12	AHH 9949	Pipe-carburetter to carburetter(flexible)	1			
37H 7148 M		Pipe-fuel-overflow-front carburetter-51cm(20.07")	1			
37H 7148 M		Pipe-fuel-overflow-rear carburetter-59cm(23.22")	1			
						Supplied in 7m (25')ROLLS

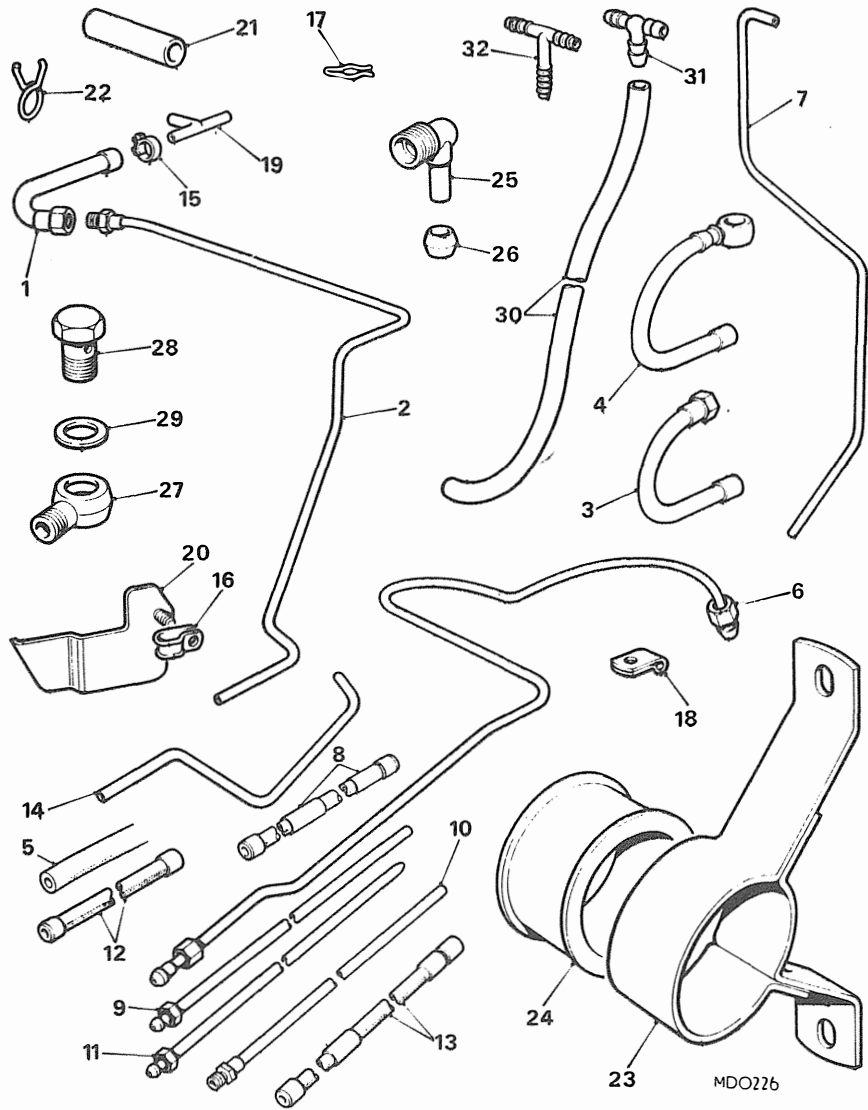
\$ This item is subject to safety regulations



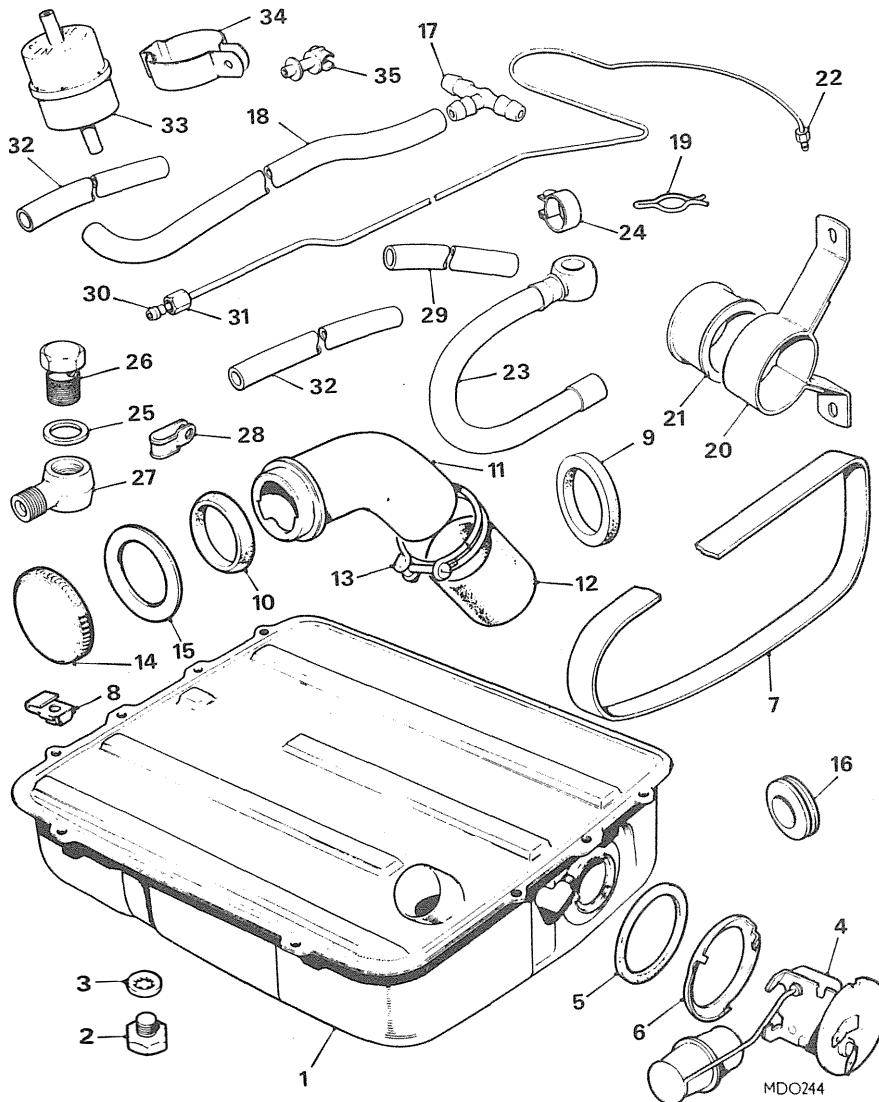
Ill. No.	Part No.	DESCRIPTION	Qty.	Change Point	REMARKS
<b>FUEL PIPE CLIPS AND FIXINGS-NOT V8</b>					
15	ACH 5854	Clip-pump flexible pipe to main pipe .....	1		
15	ACH 5854	Clip-flexible pipe to carburetter 'T' piece .....	1		
16	PCR 507	Clip-pipe to bulkhead .....	1		
15	ACH 5854	Clip-'T' piece connection .....	2		
15	ACA 5103	Clip-carburetter to carburetter .....	2		
16	AHH 7355	Clip-overflow pipe .....	NLA		(C)G-HN3,G-HD3-34080 TO 138400 (C)G-HN4,G-HD4-138401 ON
15	88G 308	Clip-overflow pipe connector .....	4		(C)G-HN3,G-HD3-63121 TO 138400 (C)G-HN4-138401 TO 187210 (C)G-HD4-138401 TO 187840 (C)G-HN5-187211 ON (C)G-HD5-187841 ON
17	13H 320	Clip-petrol pump breather hose (small) .....	1		
16	PCR 1007	Clip-hose to valance .....	NLA		
	LWZ 203	Washer-spring .....	2		
	PWZ 103	Washer-plain .....	2		
16	PCR 507	Clip-front main pipe to LH valance .....	2		(C)G-HN5,G-HD5-258001 ON Except UK
	PMZ 308	Screw .....	2		
	PWZ 203	Washer-plain .....	2		
	LWZ 203	Washer-spring .....	2		
18	GHC 406	Clip-elbow on rocker cover .....	1		
	PWZ 103	Washer-plain .....	1		
	LWZ 203	Washer-spring .....	1		

Commenced  
N.America at  
(C)G-HN5-187211  
(C)G-HD5-187840



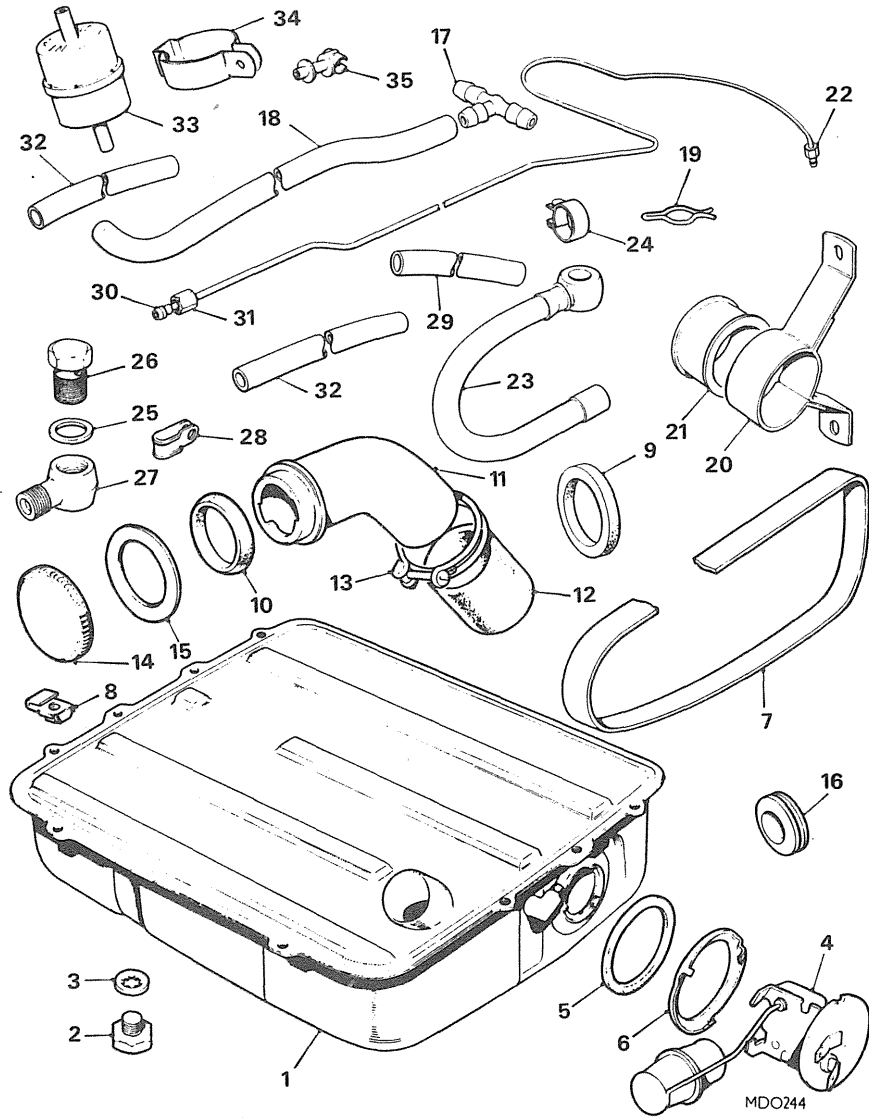


Ill. No.	Part No.	DESCRIPTION	Qty.	Change Point	REMARKS
<b>FUEL PIPE CLIPS AND FIXINGS-NOT V8-continued.</b>					
21	AHH 9950	Connector-overflow pipe.....	1	(C)G-HN5-187211 ON	N.America
	HZS 504	Screw.....	1	(C)G-HD5-187841 ON (C)G-HN3-101 TO 29695	
	LWZ 305	Washer-spring.....	1	Use prior to BHH 1635	
22	88G 308	Clamp-pipe connector.....	4		
23	AHH 6709	Bracket-fuel pump.....	1		
	PWZ 104	Washer-plain.....	2		
	LWZ 204	Washer-spring.....	2		
	FNZ 104	Nut.....	2		
24	AHH 6708	Mounting-fuel pump(rubber).....	1	(C)G-HN5-360301 TO 410000. (C)G-HD5-361001 TO 410000.	
	HZS 405	Screw.....	1		
	PWZ 104	Washer-plain.....	1		
	LWZ 204	Washer-spring.....	1		
	FNZ 104	Nut.....	1		
	*BHH 1635	Support-fuel pump(rubber).....	1		
	*GHC 1622	Clip-support.....	1		
25	AUA 1478	Elbow-fuel pump.....	NLA		Supplied in multiples of metres.
26	AUA 1486	Olive-elbow.....	2		
27	AUC 1833	Union-banjo.....	1		
28	AUC 2698	Bolt-banjo union.....	2		
29	AUC 2141	Washer(fibre).....	4		Supplied in multiples of metres.
30	17H 8579 M	Tubing-4.8mm O/D(plastic).....	A/R		
31	BHA 4361	Connection-3-way.....	1		
30	AHH 8790	Tubing-9.5mm O/D(plastic).....	NLA		
32	BHA 4752	Connection-3-way.....	1		



Ill. No.	Part No.	DESCRIPTION	Qty.	Change Point	REMARKS
<b>FUEL TANK AND FIXINGS-V8</b>					
1	NRP 2	TANK ASSEMBLY-FUEL(LESS GAUGE)12.7 GALLONS(58.5 LITRE) CAPACITY \$	1	Use prior to NRP 1132	Was ARH 223.
	NRP 1132	TANK ASSEMBLY-FUEL(LESS GAUGE)12.7 GALLONS(58.5 LITRES)CAPACITY \$	NLA	(C)G-D2D1-2701 TO 2903.	Use NRP 2 for this application together with 1 off BHH 191 and 1 off filler AHH 6281 Use with ARH 223
2	ARH 672	Plug-drain	1		] Use with ARH 223
3	ARA 967	Washer	1		
4	ARA 966	Unit-gauge \$	1		
5	ARA 1502	Ring-sealing	1		
6	ARA 1501	Ring-locking	1		
7	ARH 7386	Strip-packing	A/R		
	HZS 506	Screw-tank to floor	5		
	PWZ 305	Washer-plain	1		
8	34G 523	Nut-retainer	5		
	FNZ 105	Nut	4		
9	AHH 7388	Seal	1		
10	AHH 6268	Ferrule-filler neck	1	Use prior to BHH 1937	
10	BHH 1937	Ferrule-filler neck	1	(C)G-D2D1-2713 TO 2903.	
11	AHH 6281	Tube-filler	1	Use prior to CHA 444/BHH 1886	
12	BHH 191	Hose	1	(C)G-D2D1-2701 TO 2903.	
11	CHA 444	Tube-filler	1		
12	BHH 1886	Hose \$	1		
13	GHC 1622	Clip-hose	2		
14	18G 8601	CAP ASSEMBLY-FILLER	1		
15	27H 3573	Seal \$	1		
16	RFR 208	Plug-blanking	1		
17	BHA 4361	'T' piece-breather	1		
18	17H 8579	Tubing-breather 4.8mm O/D	A/R		Supplied in multiples of metres
19	13H 320	Clip-breather	1		
20	AHH 6709	Bracket-pump	1		
	PWZ 104	Washer-plain	2		
	LWZ 204	Washer-spring	2		
	FNZ 104	Nut	2	(C)G-D2D1-101 TO 2100	
21	AHH 6708	Mounting(rubber)	1		
	HZS 405	Screw	1		
	PWZ 104	Washer-plain	1		
	LWZ 204	Washer-spring	1		
	FNZ 104	Nut	1		
	BHH 1635	Support-fuel pump(rubber)	1	(C)G-D2D1-2101 TO 2903.	
	GHC 2228	Clip-support	1		

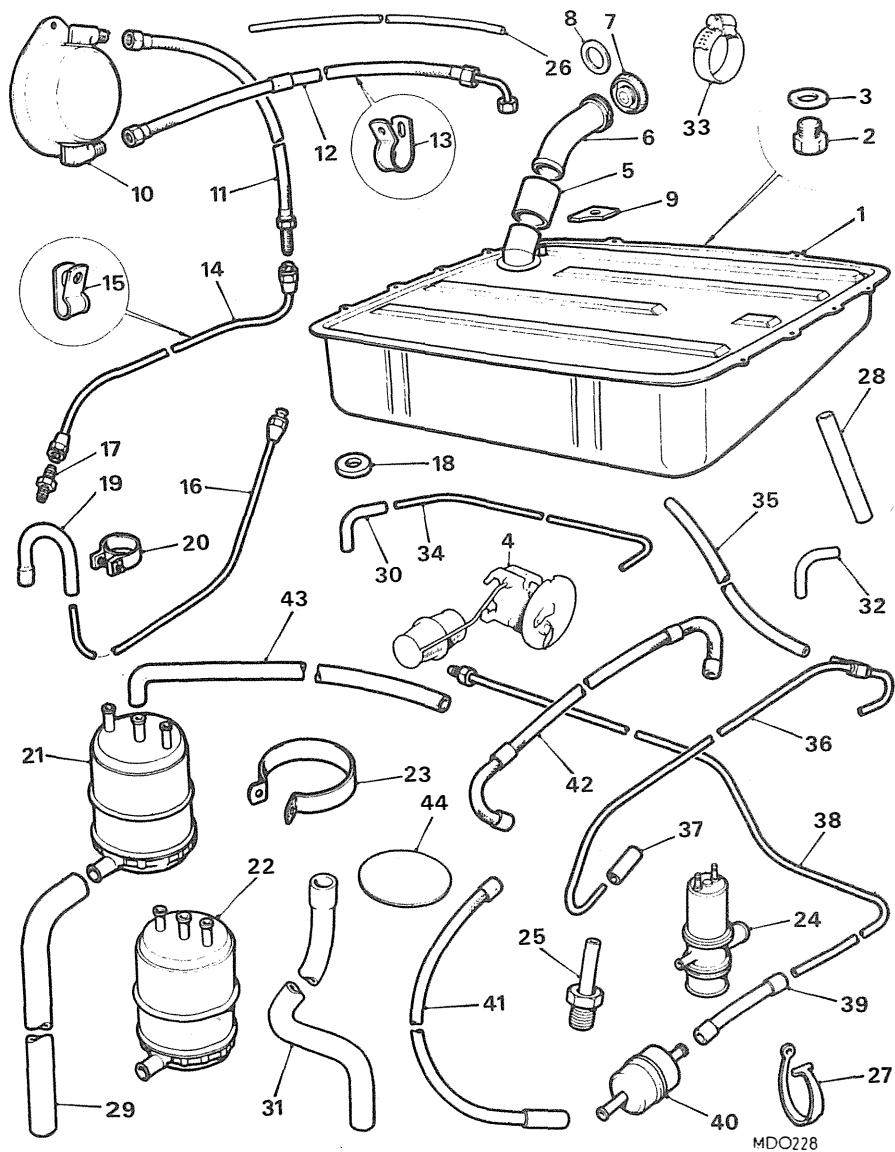
\$ This item is subject to safety regulations



Ill. No.	Part No.	DESCRIPTION	Qty.	Change Point	REMARKS
<b>FUEL TANK AND FIXINGS-V8-continued</b>					
22	AHH 6703	Pipe-tank to pump.....	1	(C)G-D2D1-101 TO 2100	
	37H 7149	Pipe-tank to pump 35.6cm (14")long.....	1	(C)G-D2D1-2101 TO 2903.	
23	AHH 7371	Pipe-pump to main feed and tank (flexible).....	2		
24	ACH 5854	Clip-flexible to main feed and pump.....	2		
25	AUC 2141	Washer-fibre-pipes to pump.....	4		
26	AUC 2698	Bolt-banjo.....	2		
27	AUC 1833	Union-banjo.....	1		
28	PCR 509	Clip-pipe to body.....	1		
	LWZ 204	Washer-spring.....	1		
	FNZ 104	Nut.....	1		
29	37H 7149 M	Pipe-pump to flexible hose 239cm(94").....	A/R	(C)G-D2D1-101 TO 2100	
29	37H 7149 M	Pipe-pump flexible to filter flexible 259.1cm(102.5")long.....	A/R	(C)G-D2D1-2101 TO 2903.	
30	AHH 5383	Nipple.....	A/R		
31	AHH 5385	Nut.....	A/R		
32	37H 7616 M	Hose-main feed pipe to filter 5cm(2").....	A/R		
33	603183	Filter-micro.....	1		
34	BHH 1212	Clip.....	1		
	LWZ 203	Washer-spring.....	2		
	PMZ 306	Screw-clip.....	2		
	ANZ 103	Nut.....	1		
32	37H 7615 M	Hose-filter to LH carburetter 45.7cm(18").....	A/R		
24	ACH 5854	Clip-hose.....	4		
35	150930	Clip-petrol pipe to centre of bulkhead.....	2		

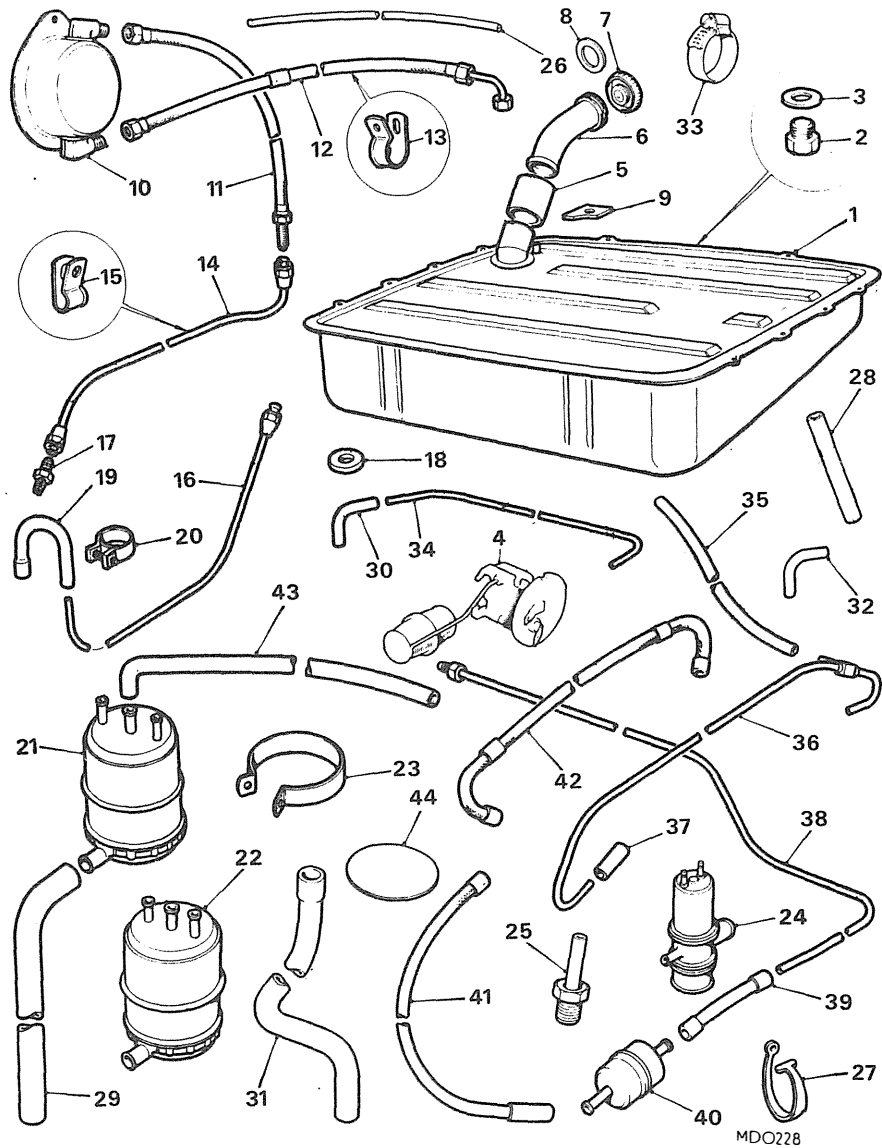
NOTE (1).  
Part numbers listed with suffix letter 'M' are supplied in multiples of metres (39.37").



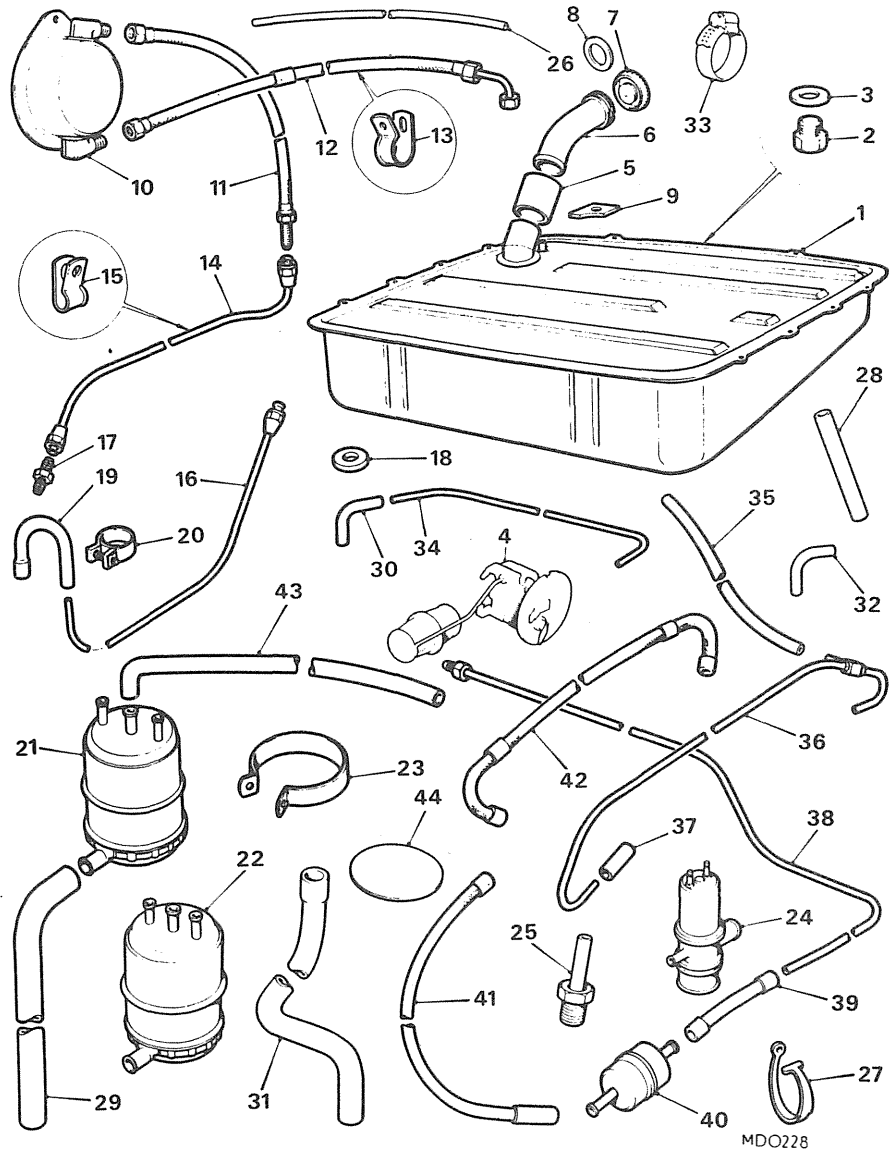


Ill. No.	Part No.	DESCRIPTION	Qty.	Change Point	REMARKS
<b>FUEL TANK AND FIXINGS-EVAPORATIVE LOSS CONTROL</b>					
1	NRP 4	TANK ASSEMBLY-FUEL-10.2 galls (46.4litre)CAPACITY(LESS GAUGE) \$	1	Use prior to NRP 1133	Was ARH 286.
	NRP 1133	TANK ASSEMBLY-FUEL-10.2 GALLS (46.4 LITRE)CAPACITY(LESS GAUGE) \$	NLA	(C)G-HN5-386601 TO 410000.	Use NRP 4 for this application together with 1 off hose BHH 191 and 1 off filler BHH 1664(USA) or BHH 170 (Canada) ] Not used with NRP 4.
2	ARH 672	Plug-drain	1		
3	ARA 967	Washer	1		
	AHH 7386	Strip-packing-tank(rubber)	4		
	HZS 506	Screw-tank to boot floor	5		
	34G 523	Nut-retainer	5		
	AHH 7513	Washer-large(fibre)	4		
	FNZ 105	Nut	4		
	WL 600051	Washer-spring	4		
	AHH 7388	Seal-tank to boot floor-rubber	1		
	AHH 6268	Ferrule-filler neck-rubber	1	Use prior to BHH 1937 (C)G-HN5-392766 ON	
	BHH 1937	Ferrule-filler neck-rubber	1		
4	ARA 966	Unit-tank gauge	1		
5	BHH 191	Connection-filler tube	1		
	GHC 1622	Clip	2		
6	BHH 170	Tube-filler \$	1	Finished at (C)GHN5-386600	] Leaded fuel ONLY. Unleaded fuel.
7	BHH 178	CAP ASSEMBLY-FILLER TUBE	1		
8	BHH 175	Seal	1		
6	BHH 1664	Tube-filler \$	1		
7	BHH 1663	CAP ASSEMBLY-FILLER TUBE	1		
6	BHH 1883	Tube-filler	1	(C)GHN5-386601 ON (Except Canada)	
5	BHH 1886	Connection-filler tube	1		
7	BHH 178	CAP ASSEMBLY-FILLER TUBE	1	(C)G-HN5-386601 ON	
8	BHH 175	Seal	1		
9	BHH 182	Seal-petrol tank vent pipes	NLA		
10	ARH 302	Tank-vapour separator	1	Use prior to BHH 1626 (C)G-HN5-360301 ON (C)G-HD5-361001 ON	
	BHH 1626	Tank-vapour-separator \$	1		
	PJZ 1004	Screw-tank to wing valance	1		
	PWZ 203	Washer-plain	1		
	PFS 510	Nut-screw	1		
	PMZ 310	Screw-tank to bracket	1		
	LWZ 303	Washer-spring	1		

\$ This item is subject to safety regulations

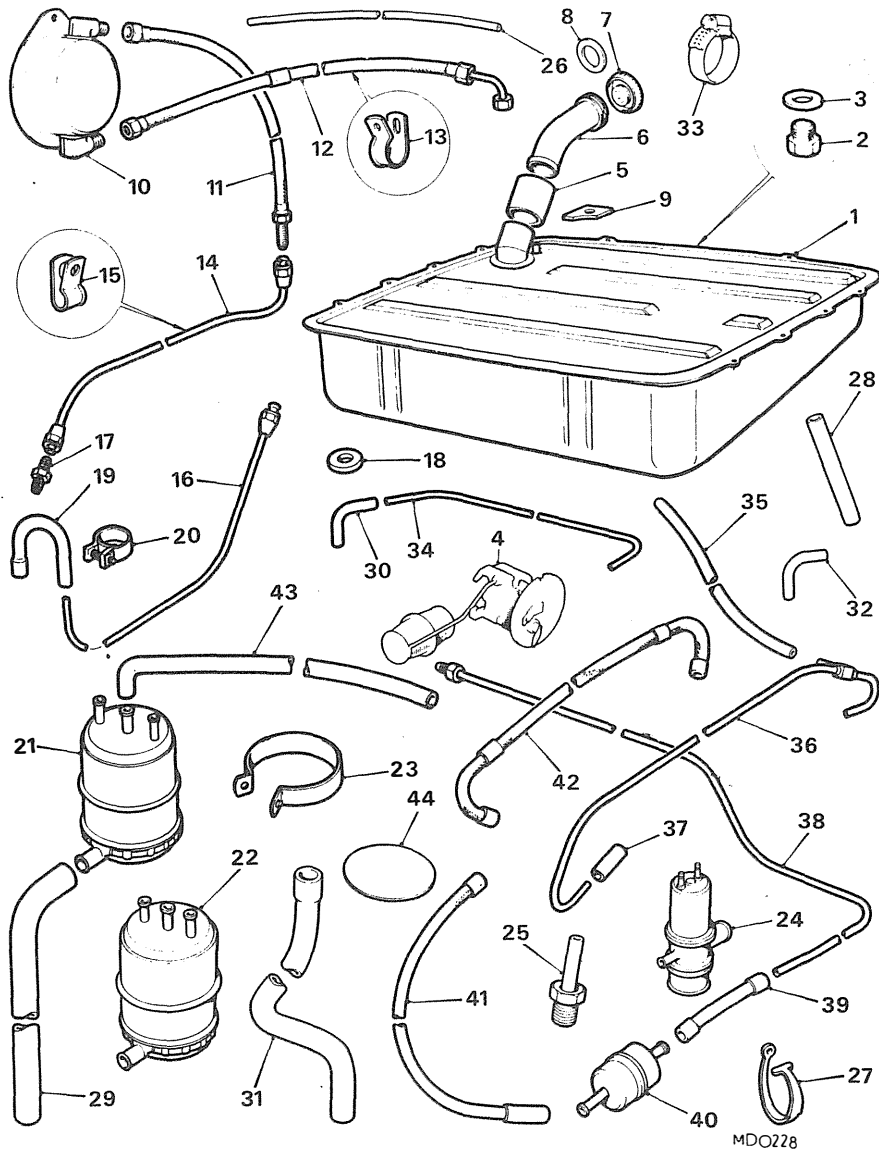


Ill. No.	Part No.	DESCRIPTION	Qty.	Change Point	REMARKS
<b>FUEL TANK AND FIXINGS-EVAPORATIVE LOSS CONTROL-continued</b>					
11	BHH 196	Hose-vapour-seperator tank to rear vapour pipe \$	1		
					Use prior to BHH 1625
	BHH 1625	Hose-seperator tank to rear vapour pipe \$	1		(C)G-HN5-360301 ON (C)G-HD5-361001 ON
	PWZ 307	Washer-plain	1		
	LWZ 607	Washer-lock	1		
	FNZ 607	Nut-lock	1		
12	BHH 197	Hose-vapour-seperator tank to petrol tank \$	1		
					Use prior to BHH 1623
	BHH 1623	Hose-seperator tank to petrol tank \$	1		(C)G-HN5-360301 ON (C)G-HD5-361001 ON
13	PCR 1007	Clip-hose	NLA		
	PWZ 103	Washer-plain	2		
	ANZ 103	Nut	1		
14	BHH 194	Pipe-vapour-front vapour pipe connector to seperator tank	1		
18	PCR 409	Clip-pipe	2		
16	BHH 130	Pipe-front vapour	1		
15	PCR 409	Clip-pipe	1		
	HZS 407	Screw	1		
17	AHH 9662	Connector	1		
	LWZ 204	Washer-spring	1		
	PWZ 204	Washer-plain	1		
18	AHH 6247	Spacer-pipe to bulkhead	NLA		
19	BHH 102	Elbow-vapour pipe to cannister	1		
20	88G 308	Clip-5"(12,7mm)	1		
22	BHH 185	Clip-.44"(11,11mm)	1		
21	13H 5994	CANNISTER ASSEMBLY-CARBON	1		
					Use prior to 13H 8511 (C)G-HN5-294251 ON (C)G-HD5-296001 ON
22	13H 8511	CANNISTER ASSEMBLY-CARBON	1		
44	37H 6101	Pad-filter	1		
	HZS 506	Screw	1		
	HZS 407	Screw	1		
23	AHH 9658	Strap-cannister	1		
	PMZ 316	Screw-strap	1		
	LNZ 103	Nut	1		
24	12H 4295	Valve-anti run on	1		
25	12H 4297	Adaptor-valve	1		
26	BHH 1053	Pipe-valve to adaptor	1		(C)G-HN5-294251 ON (C)G-HD5-296001 ON
27	13H 6107	Strap-pipe(rubber)	1		
20	BHH 185	Clip	2		
28	BHH 1027	Hose-anti run on valve to carbon cannister	1		
					Use prior to BHH 1640
28	BHH 1640	Hose-anti run on valve to carbon cannister	1		(C)G-HN5-360301 ON (C)G-HD5-361001 ON



Ill. No.	Part No.	DESCRIPTION	Qty.	Change Point	REMARKS
<b>FUEL TANK AND FIXINGS-EVAPORATIVE LOSS CONTROL-continued</b>					
29	AHH 9947	Tube-breather-cannister	NLA		Use prior to BHH 1026,BHH 1025, AND GHC 913
20	AHC 190	Clip-tube	1		
30	BHH 91	Elbow-overflow pipe to canister	1		
31	BHH 1026	Pipe-connecting-anti run on valve to atmosphere	1		(C)G-HN5-294251 TO 386600 (CN)G-HD5-296001 TO 386600
32	BHH 1025	Elbow-overflow pipe to canister	1		
37H 6844 M		Hose-vent pipe to carburetter- (13")long	1		(C)G-HN5-386601 ON
33	GHC 913	Clip	1		
BHH 1851		Pipe-connecting-anti run on valve to atmosphere	1		
37H 6844 M		Hose-vent pipe to carburetter 2" long	1		(C)G-HN5-386601 ON
BHH 1846		Hose-extension pipe to carbon cannister	1		
20	88G 308	Clip-.5"(12.7mm)	A/R		
20	BHH 185	Clip-.44"(11.1mm)	A/R		
34	BHH 92	Pipe-overflow-hose to canister	NLA		Use prior to PCR 507 (C)G-HN5-294251 ON (C)G-HN5-296001 ON
15	PCR 409	Clip	1		
15	PCR 407	Clip	1		Use prior to 37H 7616 M
15	PCR 507	Clip	1		
35	BRT 2418	Hose-overflow pipe to engine overflow pipe	1		(C)G-HN5-294251 ON (C)G-HD5-296001 ON
35	37H 7616 M	Hose overflow pipe to engine overflow pipe	A/R		
20	ACH 5854	Clip	2		Use prior to BHH 639 (C)G-HN5-258001 TO 294250 (C)G-HD5-258001 TO 296000 (C)G-HN5-360301 ON (C)G-HD5-361001 ON
36	AHH 9968	Pipe-overflow-front carburetter	1		
36	BHH 639	Pipe-overflow-front carburetter	1		
36	BHH 1021	Pipe-overflow-front carburetter	1		With Twin Carburetter.
37	AHH 9950	Connector	2		
20	88G 308	Clip-.5"(12.7mm)	4		
15	PCR 409	Clip-air cleaner bracket	1		
15	PMZ 308	Screw-clip	1		
15	PWZ 203	Washer-plain	1		
15	LWZ 203	Washer-spring	1		
15	LNZ 203	Nut-overflow pipe bracket	1		
15	PWZ 203	Washer-plain	1		

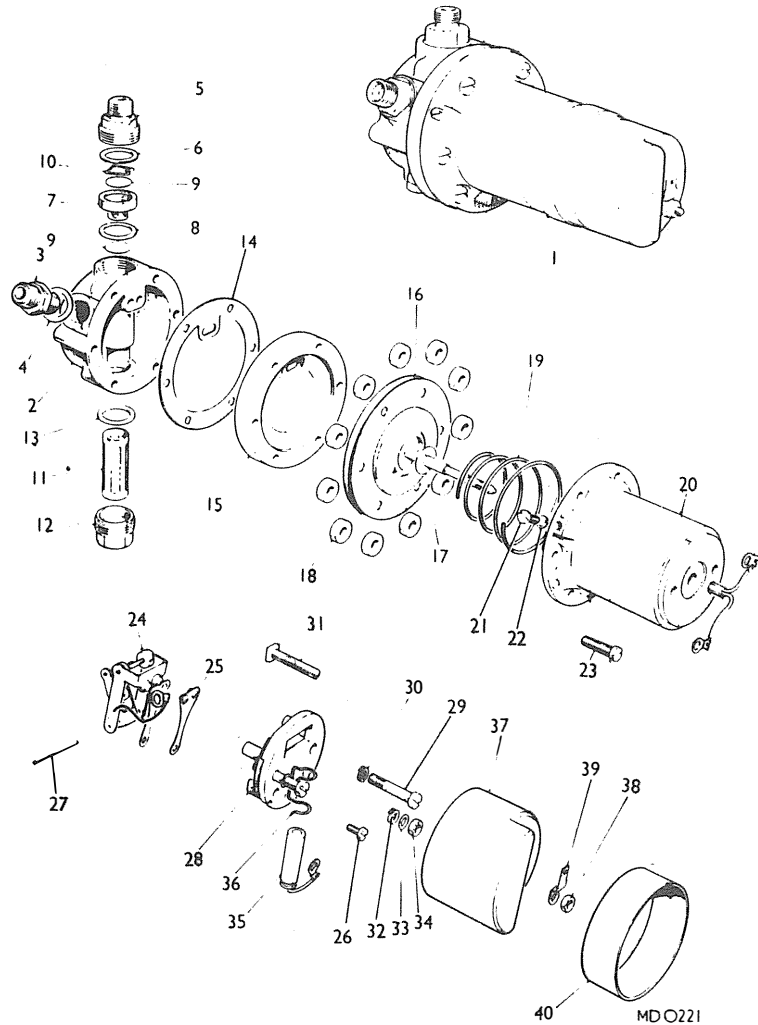
NOTE:  
Part Nos. listed with the suffix letter 'M' are supplied in multiples of metres (39.37")



MDO228

Ill. No.	Part No.	DESCRIPTION	Qty.	Change Point	REMARKS
<b>FUEL TANK AND FIXINGS-EVAPORATIVE LOSS CONTROL-continued.</b>					
AHH 6703		Pipe-tank to pump.....	1	Use prior to 37H 7149 M	
37H 7149 M		Pipe-tank to pump-flexible 14"(356mm)long.....	1	(C)G-HN5-360301 ON (C)G-HD5-361001 ON	
AHH 7371		Pipe-flexible-pump inlet and outlet.....	1/2		Quantity increased at (C)G-HN5-360301 and (C)G-HD5-361001
38 BHH 135		Pipe-petrol feed to filter .....	1	Use prior to 37H 7149 M	
AHH 6995		Pipe-rear-main feed .....	1		
37H 7149 M		Pipe-petrol feed to filter-102.5"(259.1CM)long .....	1		
37H 7149 M		Pipe-extension-main feed flexible to filter flexible 73.7cm(29")long.....	1	(C)G-HN5-360301 ON (C)G-HD5-361001 ON	
PMZ 308		Screw-clip .....	2		
LWZ 203		Washer-spring .....	2		
PWZ 203		Washer-plain.....	2		
15 PCR 507		Clip-main pipe to LH valance.....	2		
39 37H 7616 M		Hose-feed to filter 2" long.....	A/R		
20 ACH 5854		Clip-hose.....	2		
40 BHA 4952		Filter-fuel(.25x.3125") .....	1	Use prior to BHH 641 (C)G-HN5,G-HD5-258001 ON	Alternatives. With Twin Carburetter.
40 603183		Filter-fuel(.3125x.3125") .....	1		
41 AHH 9655		Hose-filter to front carburetter.....	1		
41 BHH 641		Hose-filter to front carburetter.....	1		
37H 7615 M		Hose-filter to carburetter 15"(381mm)long.....	A/R		Single carburetter
37H 6844 M		Hose-filter to connection-13"(330mm)long.....	A/R		
20 ACH 5854		Clip-hose.....	2	Use with alternative filter 603183 Use with hose 37H 7615 M. Use with filter 37H 6844 M.	
13 PCR 1007		Clip-hose.....	NLA		
PCR 807		Clip-hose.....	1		
PMZ 308		Screw .....	1		
LWZ 203		Washer-spring .....	1		
PWZ 103		Washer-plain.....	1		
42 AHH 9949		Hose-carburetter to carburetter .....	1	Use prior to 37H 4760 M (C)G-HN5,G-HD5-258001 ON	With Twin Carburetter.
42 37H 7615 M		Hose-carburetter to carburetter .....	A/R		
20 ACH 5854		Clip-hose.....	2		
43 BHH 103		Pipe-purge .....	1		
20 AHC 234		Clip-pipe .....	NLA		
13 PCR 1007		Clip-pipe to heater.....	NLA		

NOTE:  
Part Nos. listed with the suffix letter 'M' are supplied in multiples of metres (39.37")



Ill. No.	Part No.	DESCRIPTION	Qty.	Change Point	REMARKS
----------	----------	-------------	------	--------------	---------

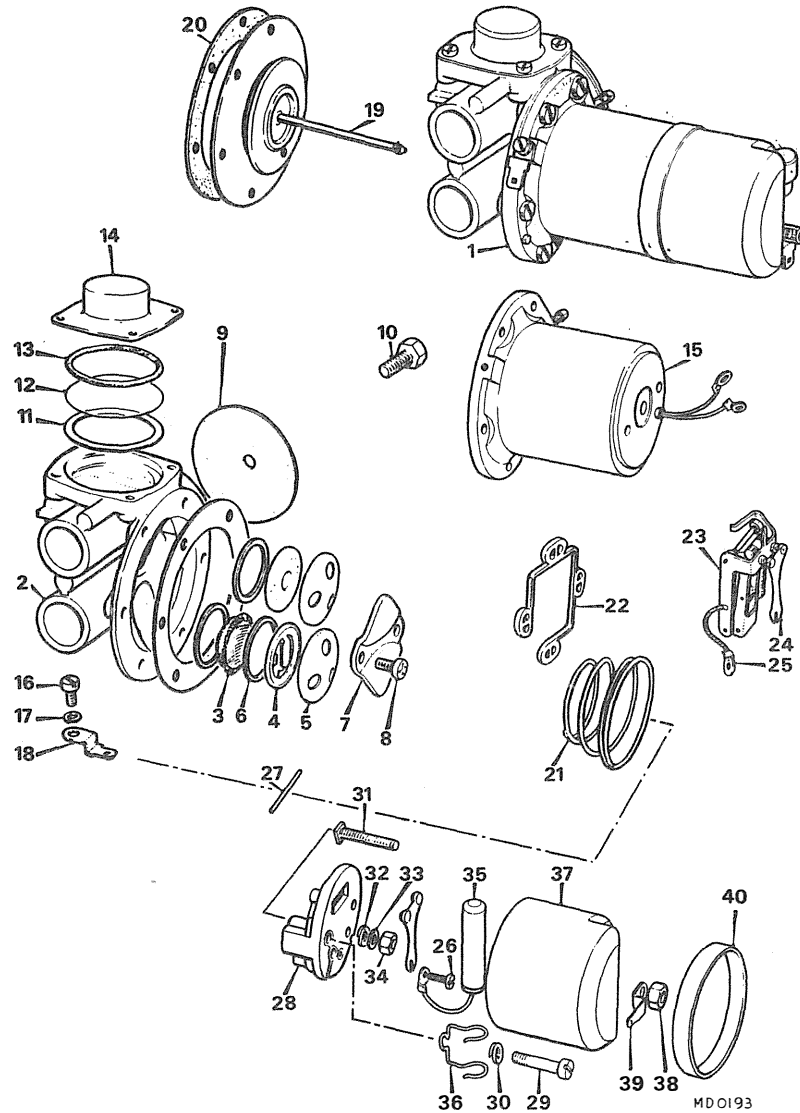
**FUEL PUMP**

1	AUB 182	PUMP ASSEMBLY .....	1		
2	AUA 4080	Body .....	1		
3	AUA 887	Union-inlet .....	1		
4	AUA 1405	Washer-union .....	1		
5	AUA 1422	Union-outlet .....	1		
6	AUA 1442	Washer .....	1		
7	AUA 1822	Cage-valve .....	1		
8	AUA 1479	Washer-cage .....	1		
9	AUA 839	Disc-valve .....	2		
10	AUA 840	Circlip-valve cage .....	1		
11	AUA 1464	Filter .....	1		
12	AUA 1421	Plug-filter .....	NLA		
13	AUA 1442	Washer-plug .....	1		
14	AUA 4082	Gasket-body to plate .....	1		
15	AUA 4081	Plate-body .....	1		
16	AUB 6097	Diaphragm .....	1		
17	AUB 809	Gasket .....	1		
18	AUB 794	Roller .....	11		
19	AUB 759	Spring-diaphragm .....	1		
20	88G 235	Housing-coil .....	1		
21	AUA 699	Screw-earth .....	1		
22	AUA 585	Washer-spring-screw .....	1		
23	AUA 4083	Screw-coil housing to body .....	6		
24	AUB 6106	ROCKER AND BLADE ASSEMBLY .....	1		
25	AUA 6036	Blade .....	1		
26	AUC 5047	Screw-blade .....	1		
27	AUA 1435	Spindle-contact breaker .....	1		
28	88G 534	Pedestal .....	1		
29	AUA 1459	Screw-pedestal to coil housing .....	2		
30	AUA 1863	Washer-spring-screw .....	NLA		
31	AUA 1468	Screw-terminal .....	1		
32	AUA 1863	Washer-spring-screw .....	NLA		
33	AUA 1662	Washer(lead) .....	1		
34	AUA 1661	Nut-terminal .....	1		
35	AUB 6079	Condenser .....	1		
36	AUA 5059	Clip-condenser .....	NLA		
37	AUA 5078	Cover-end .....	1		
38	AUA 878	Nut-cover .....	2		
39	LWZ 403	Washer-shakeproof .....	1		
39	AUA 692	Connector-Lucar .....	2		
40	AUB 716	Sleeve(rubber) .....	1		

(C)G-HN3-101  
TO 44438

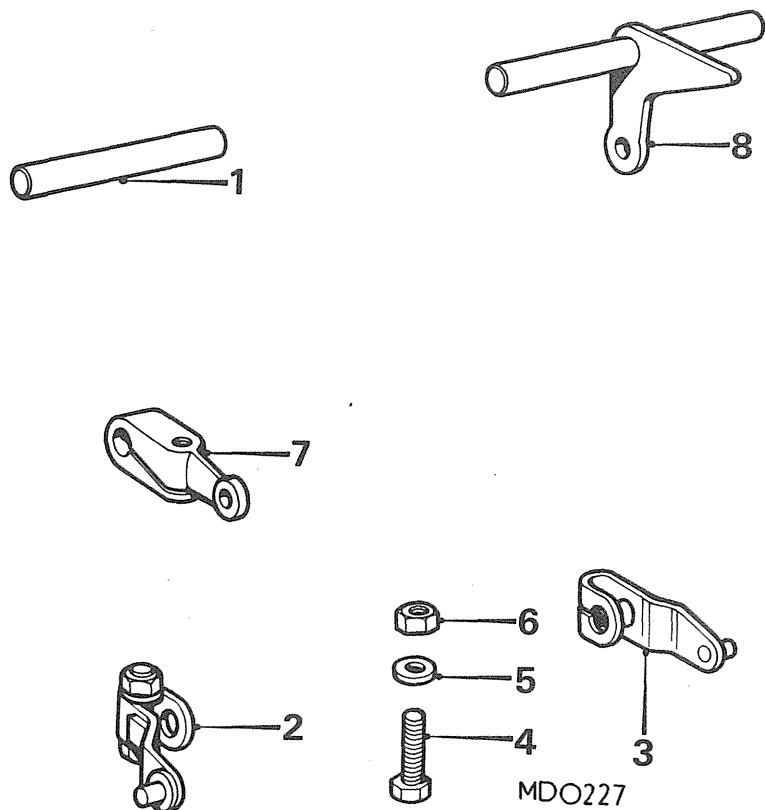
III. No. | Part No. | ||||| DESCRIPTION | Qty. | Change Point | REMARKS

FUEL PUMP-continued



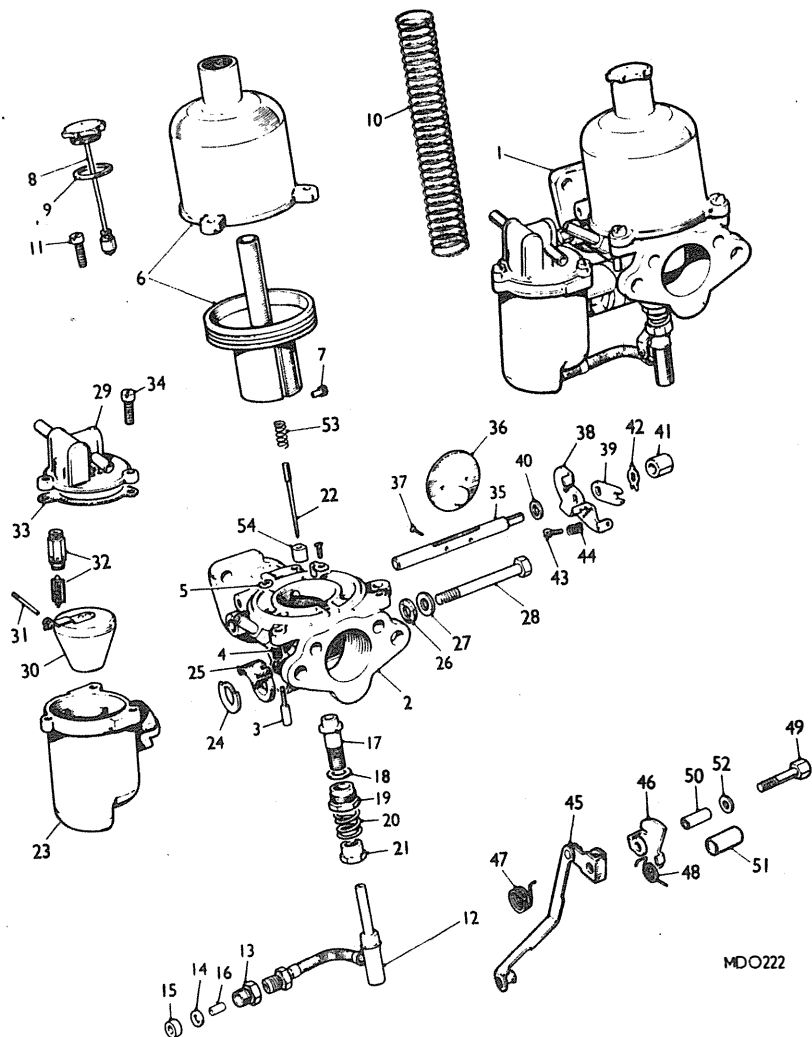
1	AUF 305	PUMP ASSEMBLY .....	1
2	AUB 662	Body .....	NLA
3	AUB 617	Filter .....	1
4	AUB 6062	Valve .....	2
5	AUB 652	Cover-valve .....	NLA
6	AUB 676	Washer-sealing .....	3
7	AUB 653	Plate-clamp .....	1
8	AUB 597	Screw-self-tapping .....	2
9	AUA 573	Gasket .....	1
	LWZ 303	Washer-spring .....	1
10	AJD 1042	Bolt-cover .....	1
11	AUB 795	Gasket .....	1
12	AUB 656	Diaphragm(nylon) .....	1
13	AUB 657	Ring-sealing .....	1
14	AUB 651	Cover-air bottle .....	NLA
15	AUB 6080	Housing-coil .....	1
16	AUA 699	Screw-earth .....	1
17	AUA 585	Washer-spring .....	1
18	AUA 692	Connector-Lucar .....	1
19	AUB 6097	DIAPHRAGM ASSEMBLY .....	1
20	AUB 849	Washer-sealing .....	NLA
21	AUB 758	Spring-armature .....	NLA
22	AUB 794	Plate-armature guide .....	1
23	AUB 6106	ROCKER AND BLADE ASSEMBLY .....	1
24	AUA 6036	Blade .....	1
26	AUC 5047	Screw-blade .....	1
27	AUA 1435	Spindle-contact breaker .....	1
28	88G 534	Pedestal .....	1
29	AUA 1459	Screw-pedestal .....	2
30	AUA 1863	Washer-spring .....	NLA
31	AUA 1468	Screw-terminal .....	1
32	AUA 1863	Washer-spring .....	NLA
33	AUA 1662	Washer(lead) .....	1
34	AUA 1661	Nut-recessed .....	1
35	AUB 6079	Condenser .....	1
36	AUA 5059	Clip-condenser .....	NLA
37	AUB 707	Cover-end .....	1
38	AUA 878	Nut-cover .....	1
	LWZ 403	Washer-shakeproof .....	1
39	AUA 692	Connector-Lucar .....	1
40	AUB 716	Ring-sealing .....	1

(C)G-HN3,G-HD3-44439 TO 138400  
 (C)G-HN4-138401 TO 187210  
 (C)G-HN5-187211 ON TO 187840  
 (C)G-HD4-138401 TO 187840  
 (C)G-HD5-187841 ON (C)G-D2D1-101 ON



Ill. No.	Part No.	DESCRIPTION	Qty.	Change Point	REMARKS
<b>CARBURETTER INSTALLATION-NOT N-AMERICA OR V8</b>					
	AUD 278	CARBURETTER INSTALLATION .....	NLA	Use prior to AUD 325	Use front carburetter CUD 9025 and rear carburetter CUD 9026.
	AUD 325	CARBURETTER INSTALLATION .....	NLA	(E)18GG/-/101 TO(+)	Use front carburetter CUD 9025 and rear carburetter CUD 9026.
	NSP	CARBURETTER INSTALLATION .....	1PR	(E)18V/581F/101 TO(+) (E)18V/582F/101 TO(+) (E)18V/583F/101 TO(+)	Use front carburetter CUD 9178 and rear carburetter CUD 9179.
	NSP	CARBURETTER INSTALLATION .....	1PR	(E)18V/581Y/101 TO(+) (E)18V/582Y/101 TO(+) (E)18V/583Y/101 TO(+)	Use front carburetter CUD 9115 and rear carburetter CUD 9116.
	NSP	CARBURETTER INSTALLATION .....	1PR	(E)18V/779F/101 ON (E)18V/780F/101 ON	Use front carburetter CUD 9264 and rear carburetter CUD 9265.
1	AUC 1462	Rod-jet connecting .....	1		
2	AUE 586	LEVER AND PIN ASSEMBLY-FRONT .....	2		
3	AUE 587	LEVER AND PIN ASSEMBLY-REAR .....	2		
4	AJD 1042	Bolt-lever .....	4		
5	AUC 8296	Washer-plain .....	4		
6	AJD 8012 Z	Nut-bolt .....	4		
7	AUC 1501	Lever-throttle .....	1		
8	12H 715	Lever-throttle and spindle .....	1		
4	AJD 1042	Bolt .....	1		
	LWZ 303	Washer-spring .....	1		
6	AJD 8012 Z	Nut .....	1		
				Use prior to 12H 715 (E)18V/581/101 TO(+) (E)18V/582/101 TO(+) (E)18V/583/101 TO(+) (E)18V/779F/101 ON (E)18V/780F/101 ON	

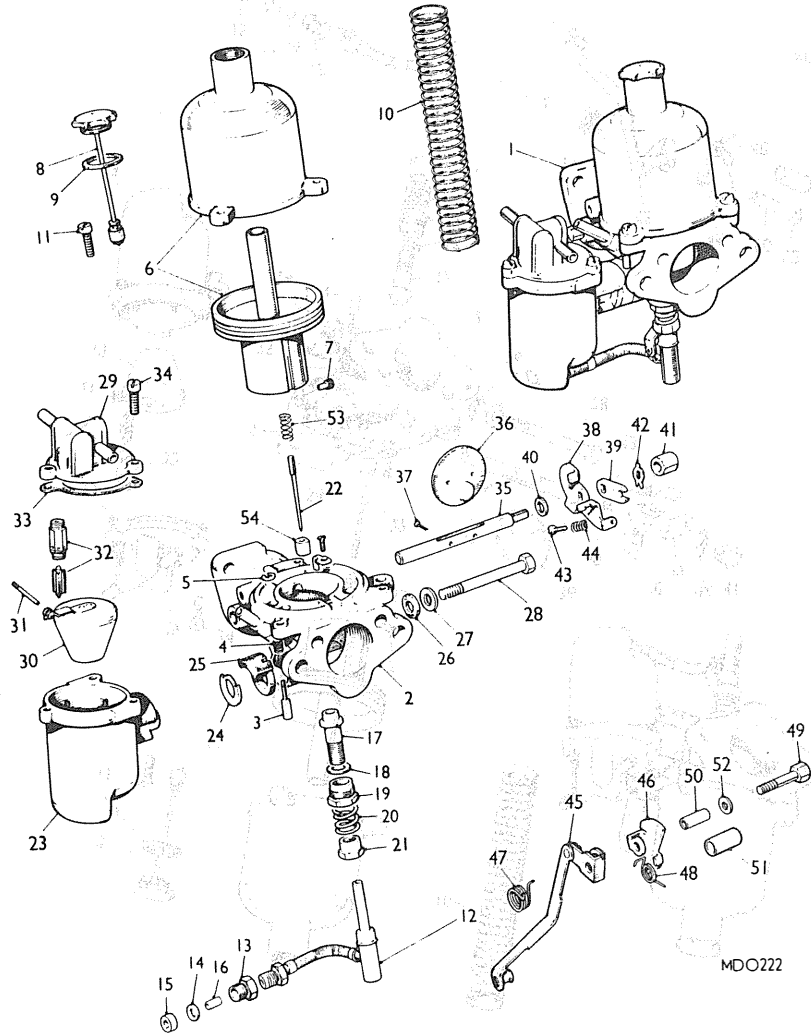
(+) Change point not available.



Ill. No.	Part No.	DESCRIPTION	Qty.	Change Point	REMARKS
<b>CARBURETTER INSTALLATION-NOT N.AMERICA OR V8-continued</b>					
1	AUC 9266	CARBURETTER ASSEMBLY-FRONT .....	1		
1	CUD 9025	CARBURETTER ASSEMBLY-FRONT .....	1	Use prior to CUD 9025	
2	AUC 8729	Body .....	NLA	(E)18GG/-/101 TO(+)	Use with AUC 9266.
2	CUD 2000	Body-vented.....	1		Use with CUD 9025.
3	AUC 1249	Pin-piston lifting.....	1		
4	AUC 1151	Spring-pin .....	1		
5	AUC 1250	Circlip-pin.....	1		
6	AUD 9635	CHAMBER AND PISTON ASSEMBLY .....	1		
7	AUC 2057	Screw-needle locking .....	1		
8	AUC 8114	Cap and damper .....	1		
9	AUC 4900	Washer(fibre) .....	1		
10	AUC 4387	Spring-piston-Red .....	1		
11	AUC 2175	Screw-chamber to body.....	3		
12	AUD 9141	JET ASSEMBLY.....	1		
13	AUD 2129	Nut.....	1		
14	AUD 2193	Washer .....	1		
15	AUD 2194	Gland.....	1		
16	AUD 2195	Ferrule.....	1		
17	AUC 8460	Bearing-jet .....	1		
18	AUC 8478	Washer-jet bearing(brass) .....	1		
19	AUC 2002	Screw-jet locking .....	1		
20	AUC 2114	Spring-jet locking .....	1		
21	AUC 8461	Screw-jet adjusting .....	1		
22	AUD 1004	Needle-jet-Rich(No.5).....	1		
22	AUD 1530	Needle-jet-Standard(FX).....	1		
22	AUD 1473	Needle-jet-Weak(GZ).....	1		
23	AUC 1310	Chamber-float.....	1		
24	AUC 1329	Washer-support .....	1		
25	AUD 2677	Grommet(rubber).....	1		
26	AUC 1318	Washer(rubber).....	1		
28	AUD 3017	Bolt-float chamber fixing .....	1		
29	AUD 9209	Lid .....	1		
30	AUD 9904	Float .....	1		
31	AUC 1152	Pin-hinge .....	1		
32	AUD 9096	Needle and seat.....	1		
33	AUC 8459	Washer-lid.....	1		
34	AUC 2175	Screw-lid .....	3		
	LWZ 303	Washer-spring .....	3		

(+) Change point not available.



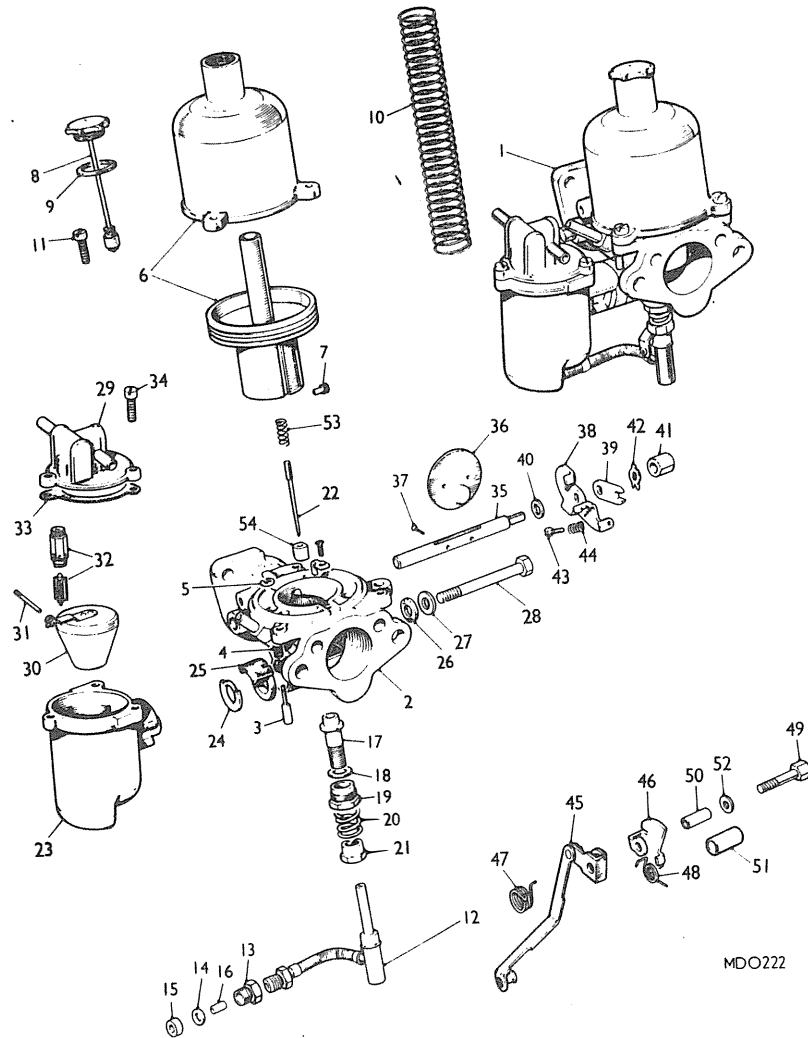


MDO222

III. No.	Part No.	DESCRIPTION	Qty.	Change Point	REMARKS
----------	----------	-------------	------	--------------	---------

CARBURETTER INSTALLATION-NOT N.AMERICA OR V8-continued

35	AUC 1302	Spindle-throttle.....	1		
36	AUC 3116	Disc-throttle.....	1		
37	AUC 1358	Screw-disc.....	2		
38	AUD 2788	Lever-throttle return.....	1		
39	AUC 1400	Lever-lost motion.....	1		
40	AUC 2625	Washer-spacing.....	1		
41	AUC 1424	Nut-lever.....	1		
42	AUD 3323	Washer-tab.....	1		
43	AUC 8483	Screw-fast-idle.....	1		
44	AUC 2451	Spring-screw.....	2		
43	AUC 8483	Screw-throttle stop.....	1		
45	AUD 9092	Lever and link-pick-up.....	1		
	PTZ 605	Screw-link to jet.....	1		
46	AUD 3346	Lever-cam.....	1		
47	AUC 8462	Spring-pick-up lever.....	1		
48	AUD 2431	Spring-cam lever.....	1		
49	AUC 1426	Bolt-pivot.....	1		
50	AUC 8473	Tube-pivot bolt.....	1		
51	AUD 2430	Tube-outer.....	1		
52	AUD 2433	Washer-distance.....	1		
52	AUD 2429	Washer-skid.....	2		



III. No.	Part No.	DESCRIPTION	Qty.	Change Point	REMARKS
----------	----------	-------------	------	--------------	---------

**CARBURETTER INSTALLATION-NOT N.AMERICA OR V8-continued**

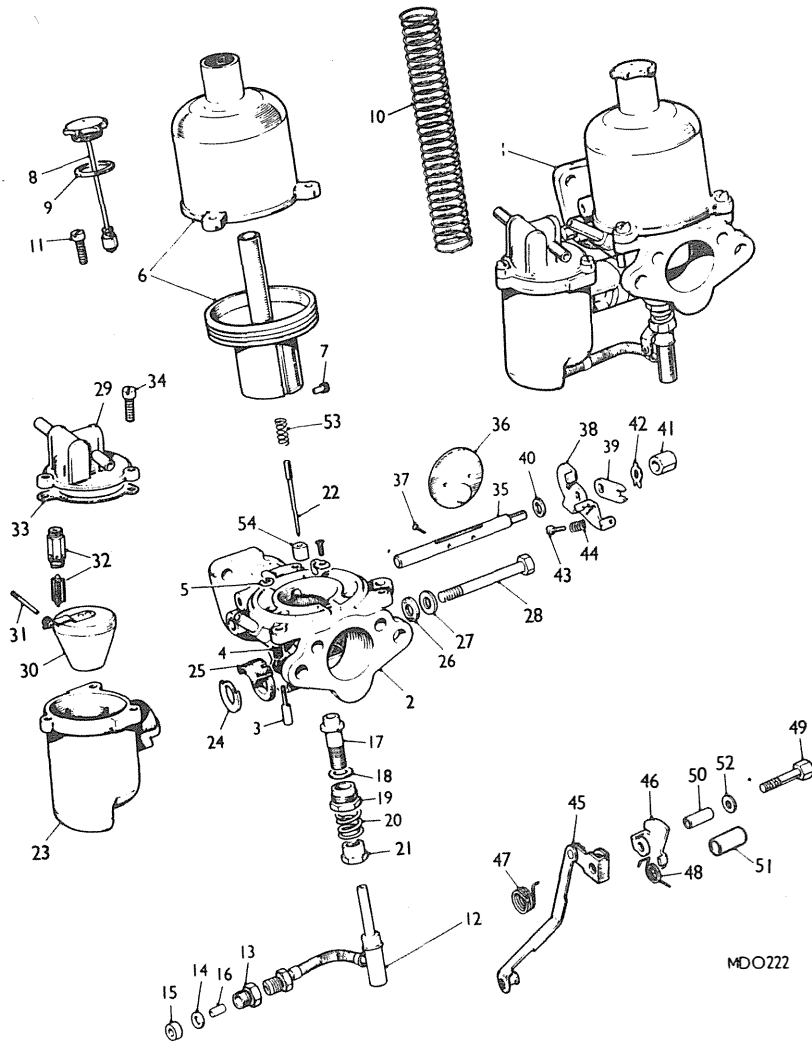
1	CUD 9178	CARBURETTER ASSEMBLY-FRONT..	1		
3	AUC 1249	Pin-piston lifting .....	1		
4	AUC 1151	Spring-pin.....	1		
5	AUC 1250	Circlip-pin.....	1		
6	AUD 9988	CHAMBER AND PISTON ASSEMBLY.....	1		
7	AUC 2057	Screw-needle locking .....	1		
8	AUC 8114	Cap and damper .....	1		
9	AUC 4900	Washer(fibre).....	1		
10	AUC 4387	Spring-piston-Red .....	1		
11	AUC 2175	Screw-chamber to body.....	3		
12	AUD 9141	JET ASSEMBLY .....	1		
13	AUD 2129	Nut.....	1		
14	AUD 2193	Washer.....	1		
15	AUD 2194	Gland .....	1		
16	AUD 2195	Ferrule .....	1		
17	AUD 3414	Bearing-jet.....	1	(E)18V/581F/101	
18	AUC 8478	Washer-jet bearing(brass).....	1	TO(+)	
19	AUC 2002	Screw-jet locking.....	1	(E)18V/582F/101	
20	AUC 2114	Spring-jet locking .....	1	TO(+)	
21	AUC 8461	Screw-jet adjusting.....	1	(E)18V/583F/101	
22	CUD 1018	Needle-jet(AAU).....	1	TO(+)	
53	AUD 3306	Spring-needle.....	1		
54	AUD 3836	Guide-needle.....	1		
23	AUC 1310	Chamber-float .....	1		
24	AUC 1329	Washer-support .....	1		
25	AUD 2677	Grommet(rubber).....	1		
26	AUC 1318	Washer(rubber).....	1		
28	AUD 3017	Bolt-float chamber fixing.....	1		
29	AUD 9209	Lid .....	1		
30	AUD 9904	Float .....	1		
31	AUC 1152	Pin-hinge .....	1		
32	AUD 9095	Needle and seat .....	1		
33	AUC 8459	Washer-lid .....	1		
34	AUC 2175	Screw-lid.....	3		
	LWZ 303	Washer-spring.....	3		

Not ECE countries

(E)18V/581F/101  
TO(+)  
(E)18V/582F/101  
TO(+)  
(E)18V/583F/101  
TO(+)

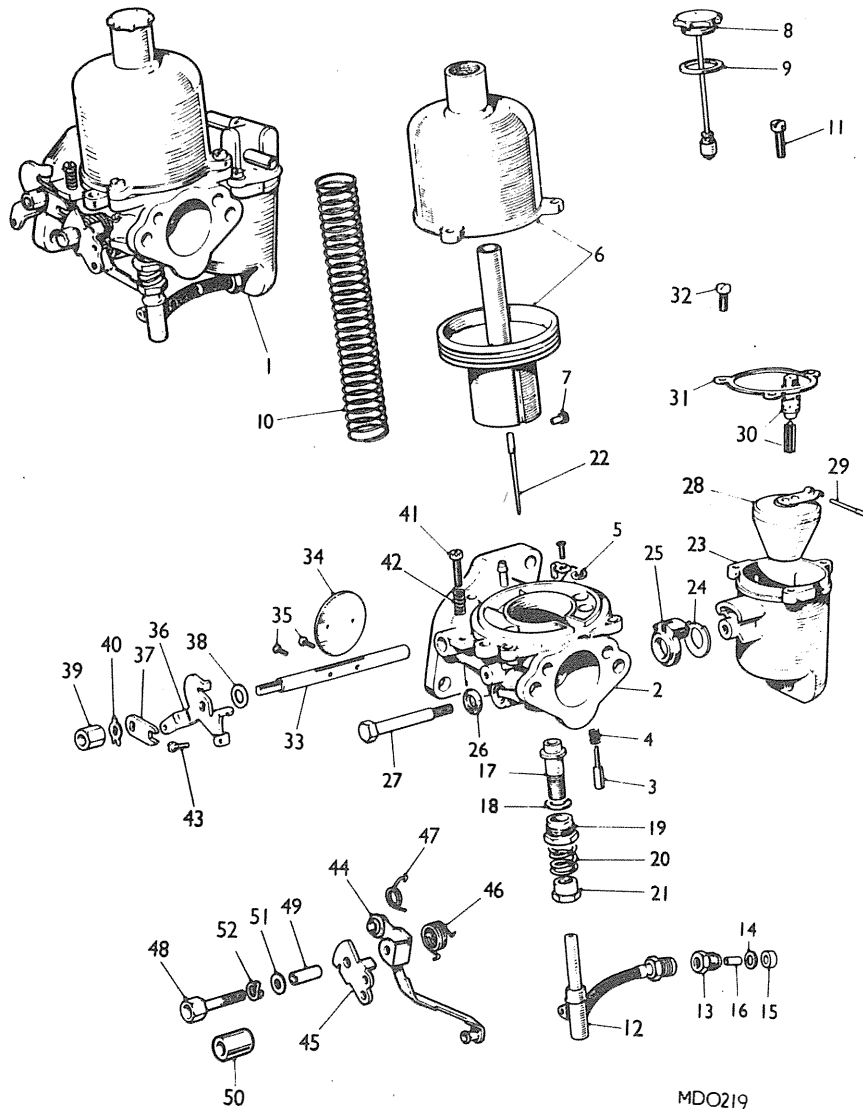
III. No.	Part No.	DESCRIPTION	Qty.	Change Point	REMARKS
----------	----------	-------------	------	--------------	---------

CARBURETTOR INSTALLATION-NOT N.AMERICA OR V8-continued



35	AUC 1302	Spindle-throttle.....	1		
36	AUC 3116	Disc-throttle.....	1		
37	AUC 1358	Screw-disc.....	2		
38	AUD 2788	Lever-throttle return.....	1		
39	AUC 1400	Lever-lost motion.....	1		
40	AUC 2625	Washer-spacing.....	1		
41	AUC 1424	Nut-lever.....	1		
42	AUD 3323	Washer-tab.....	1		
43	AUC 8483	Screw-fast-idle.....	1		
44	AUC 2451	Spring-screw.....	2		
43	AUC 8483	Screw-throttle stop.....	1		
45	AUD 9393	Lever and link-pick-up.....	1		
	PTZ 605	Screw-link to jet.....	1		
46	AUD 3346	Lever-cam.....	1		
47	AUC 8462	Spring-pick-up lever.....	1		
48	AUD 2431	Spring-cam lever.....	1		
49	AUC 1426	Bolt-pivot.....	1		
50	AUC 8473	Tube-pivot bolt.....	1		
51	AUD 2430	Tube-outer.....	1		
52	AUD 2433	Washer-distance.....	1		
52	AUD 2429	Washer-skid.....	2		

(E)18V/581F/101  
TO(+)  
(E)18V/582F/101  
TO(+)  
(E)18V/583F/101 ON



MDO219

Ill. No.	Part No.	DESCRIPTION	Qty.	Change Point	REMARKS
----------	----------	-------------	------	--------------	---------

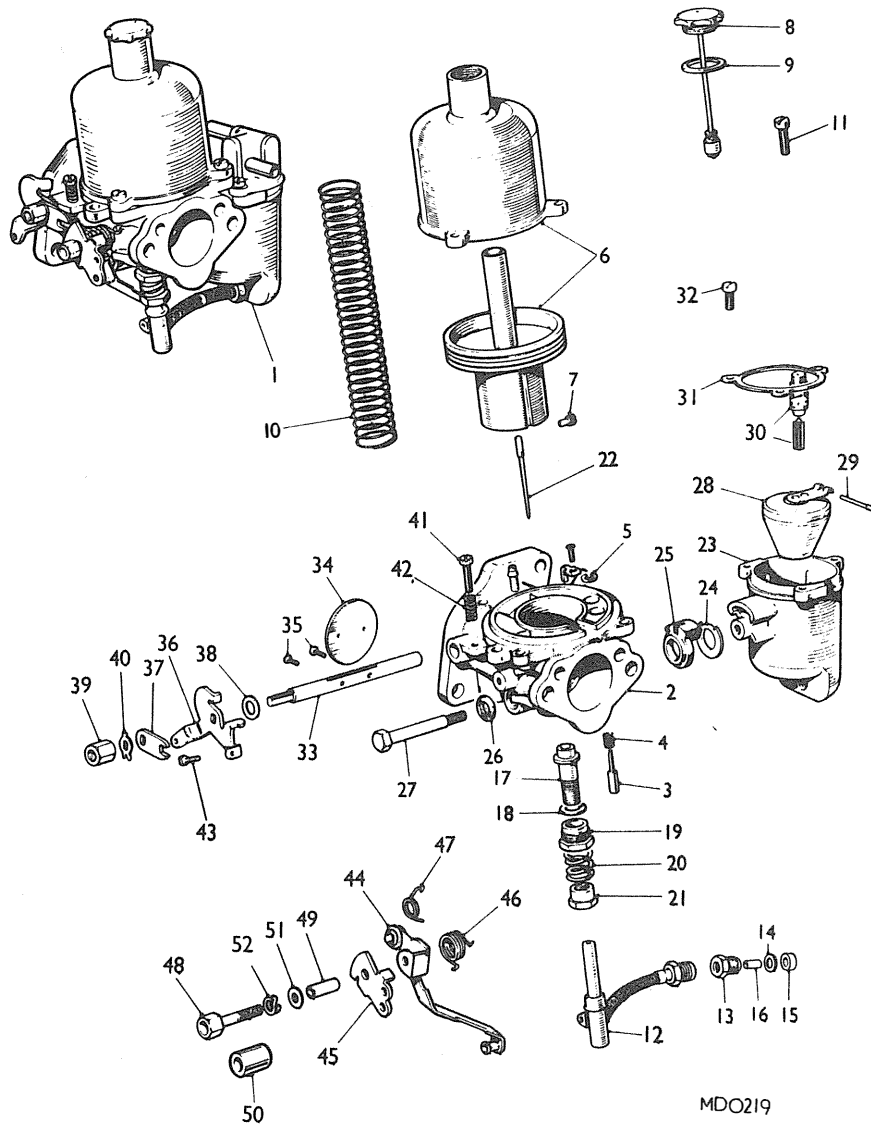
**CARBURETTER INSTALLATION-NOT N.AMERICA OR V8-continued**

1	AUC 9267	CARBURETTER ASSEMBLY-REAR.....	1		Use prior to CUD 9026
1	CUD 9026	CARBURETTER ASSEMBLY-REAR.....	1		(E)18GG/-/101 TO(+)
2	AUC 8730	Body.....	NLA		Use with AUC 9267
2	CUD 2011	Body-vented.....	1		Use with CUD 9026
3	AUC 1249	Pin-piston lifting.....	1		
4	AUC 1151	Spring-pin.....	1		
5	AUC 1250	Circlip-pin.....	1		
6	AUD 9635	CHAMBER AND PISTON ASSEMBLY.....	1		
7	AUC 2057	Screw-needle locking.....	1		
8	AUC 8114	Cap and damper.....	1		
9	AUC 4900	Washer(fibre).....	1		
10	AUC 4387	Spring-piston-Red.....	1		
11	AUC 2175	Screw-chamber to body.....	3		
12	AUD 9142	JET ASSEMBLY.....	1		
13	AUD 2129	Nut.....	1		
14	AUD 2193	Washer.....	1		
15	AUD 2194	Gland.....	1		
16	AUD 2195	Ferrule.....	1		
17	AUC 8460	BEARING-JET.....	1		
18	AUC 8478	Washer-jet bearing(brass).....	1		
19	AUC 2002	Screw-jet locking.....	1		
20	AUC 2114	Spring-jet locking.....	1		
21	AUC 8461	Screw-jet adjusting.....	1		
22	AUD 1004	Needle-jet-rich(No.5).....	1		
22	AUD 1530	Needle-jet-standard(FX).....	1		
22	AUD 1473	Needle-jet-weak(GZ).....	1		
23	AUC 1310	Chamber-float.....	1		
24	AUC 1329	Washer-support.....	1		
25	AUD 2676	Grommet(rubber).....	1		
26	AUC 1318	Washer(rubber).....	1		
27	AUD 3017	Bolt-float chamber fixing.....	1		
	AUD 9904	Float.....	1		
29	AUC 1152	Pin-hinge.....	1		
30	AUD 9096	Needle and seat.....	1		
31	AUC 8459	Washer-lid.....	1		
32	AUC 2175	Screw-lid.....	3		
	LWZ 303	Washer-spring.....	3		

III. No.	Part No.		DESCRIPTION	Qty.	Change Point	REMARKS
----------	----------	--	-------------	------	--------------	---------

**CARBURETTER INSTALLATION-NOT N.AMERICA OR V8-continued**

33	AUC 1302		Spindle-throttle .....	1		
34	AUC 3116		Disc-throttle .....	1		
35	AUC 1358		Screw-disc .....	2		
36	AUD 2787		Lever-throttle return .....	1		
37	AUC 1400		Lever-lost motion .....	1		
38	AUC 2625		Washer-spacing .....	1		
39	AUC 1424		Nut-lever .....	1		
40	AUD 3323		Washer-tab .....	1		
41	AUC 8483		Screw-fast-idle .....	1		
42	AUC 2451		Spring-screw .....	2		
43	AUC 8483		Screw-throttle stop .....	1		
44	AUD 9093		Lever and link-pick-up .....	1		
	PTZ 605		Screw-link to jet .....	1		
45	AUD 2164		Lever-cam .....	1		
46	AUC 1375		Spring-pick-up lever .....	1		
47	AUD 2432		Spring-cam lever .....	1		
48	AUC 1426		Bolt-pivot .....	1		
49	AUC 8473		Tube-pivot bolt .....	1		
50	AUD 2430		Tube-outer .....	1		
51	AUD 2433		Washer-distance .....	1		
52	AUD 2429		Washer-skid .....	2		

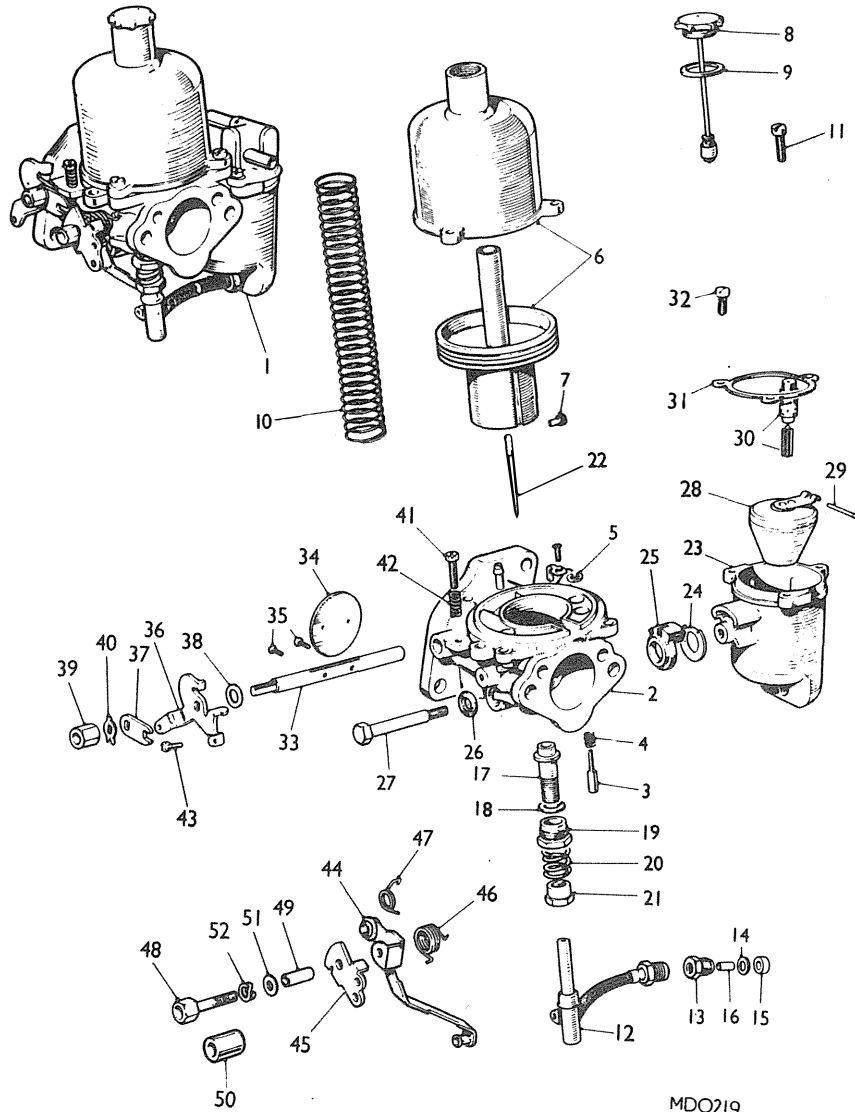


Ill. No.	Part No.	DESCRIPTION	Qty.	Change Point	REMARKS
----------	----------	-------------	------	--------------	---------

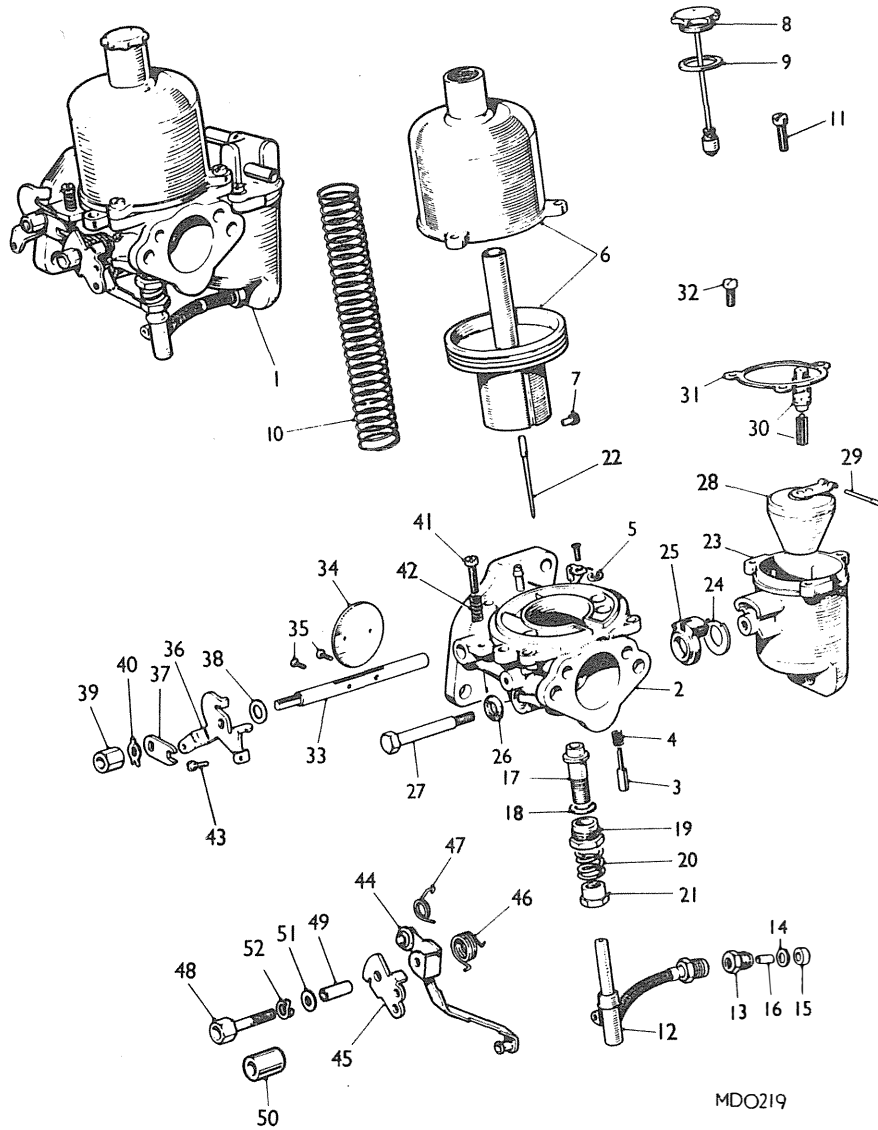
**CARBURETTER INSTALLATION-NOT N.AMERICA OR V8-continued**

1	CUD 9179	CARBURETTER ASSEMBLY-REAR.....	1		Not ECE countries
	AUC 8730	Body.....	NLA		
3	AUC 1249	Pin-piston lifting.....	1		
4	AUC 1151	Spring-pin.....	1		
5	AUC 1250	Circlip-pin.....	1		
6	AUD 9988	CHAMBER AND PISTON ASSEMBLY.....	1		
7	AUC 2057	Screw-needle locking.....	1		
8	AUC 8114	Cap and damper.....	1		
9	AUC 4900	Washer(fibre).....	1		
10	AUC 4387	Spring-piston-Red.....	1		
11	AUC 2175	Screw-chamber to body.....	3		
12	AUD 9142	JET ASSEMBLY.....	1		
13	AUD 2129	Nut.....	1		
14	AUD 2193	Washer.....	1	(E)18V/581F/101	
15	AUD 2194	Gland.....	1	TO(+)	
16	AUD 2195	Ferrule.....	1	(E)18V/582F/101	
17	AUD 3414	Bearing-jet.....	1	TO(+)	
18	AUC 8478	Washer-jet bearing(brass).....	1	(E)18V/583F/101	
19	AUC 2002	Screw-jet locking.....	1	TO(+)	
20	AUC 2114	Spring-jet locking.....	1		
21	AUC 8461	Screw-jet adjusting.....	1		
22	CUD 1018	Needle-jet.....	1		
53	AUD 3306	Spring-needle.....	1		
54	AUD 3836	Guide-needle.....	1		
23	AUC 1310	Chamber-float.....	1		
24	AUC 1329	Washer-support.....	1		
25	AUD 2676	Grommet(rubber).....	1		
26	AUC 1318	Washer(rubber).....	1		
27	AUD 3017	Bolt-float chamber fixing.....	1		
28	AUD 9904	Float.....	1		
29	AUC 1152	Pin-hinge.....	1		
30	AUD 9095	Needle and seat.....	1		
31	AUC 8459	Washer-lid.....	1		
32	AUC 2175	Screw-lid.....	3		
	LWZ 303	Washer-spring.....	3		

(E)18V/581F/101  
TO(+)  
(E)18V/582F/101  
TO(+)  
(E)18V/583F/101  
TO(+)



(+) Change point not available



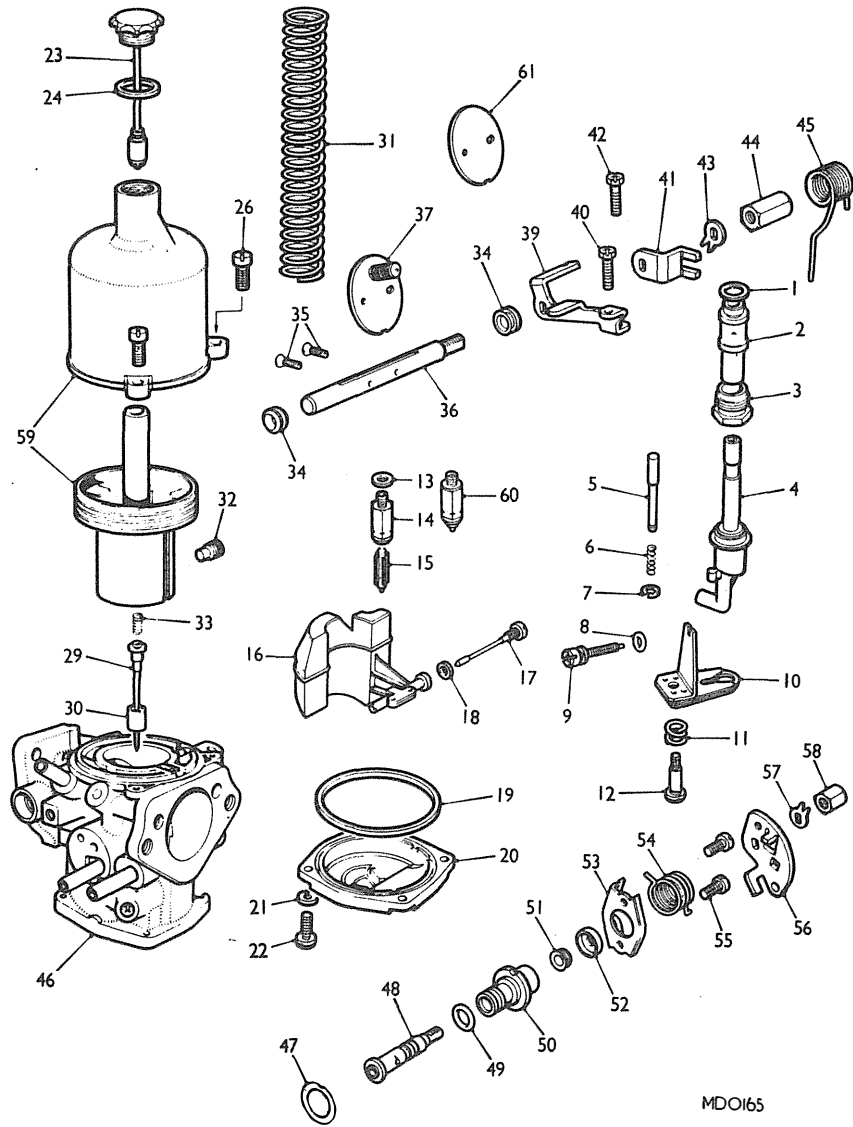
MDO219

Ill. No.	Part No.	DESCRIPTION	Qty.	Change Point	REMARKS
----------	----------	-------------	------	--------------	---------

**CARBURETTER INSTALLATION-NOT N.AMERICA OR V8-continued**

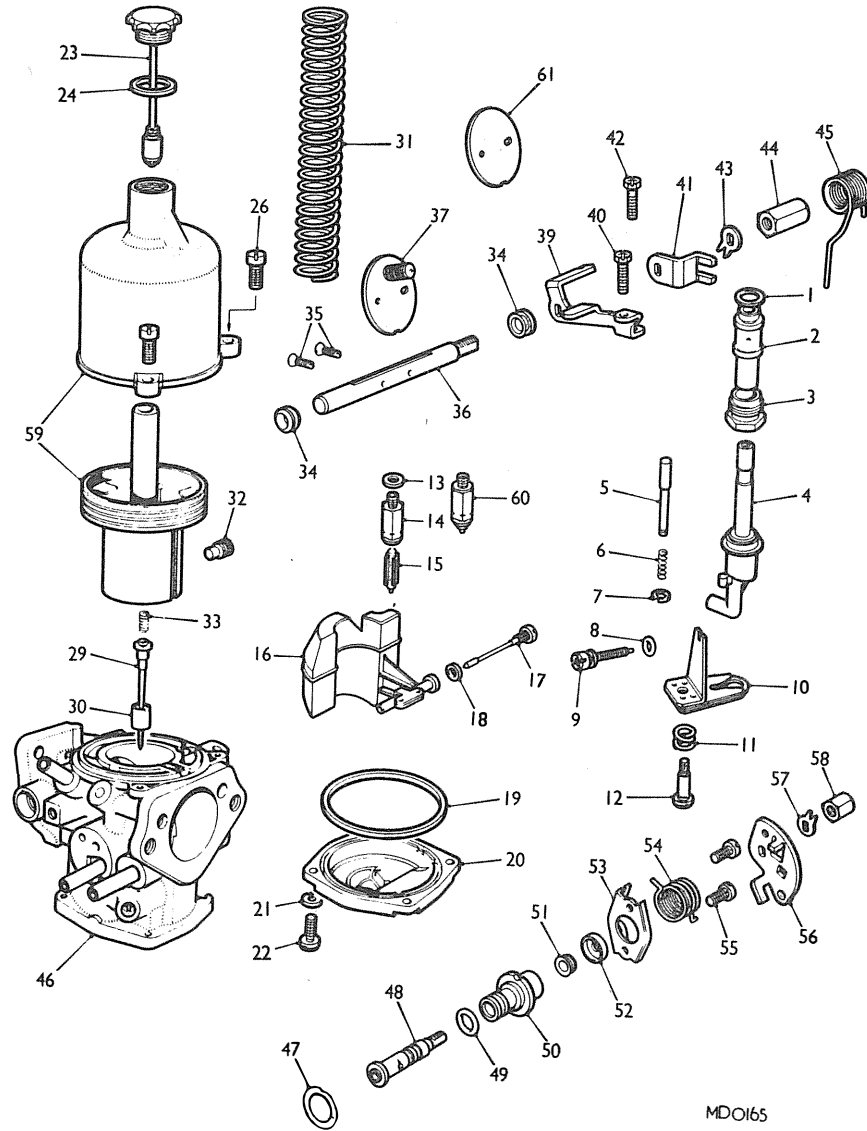
33	AUC 1302	Spindle-throttle.....	1		
34	AUC 3116	Disc-throttle.....	1		
35	AUC 1358	Screw-disc.....	2		
36	AUD 2787	Lever-throttle return.....	1		
37	AUC 1400	Lever-lost motion.....	1		
38	AUC 2625	Washer-spacing.....	1		
39	AUC 1424	Nut-lever.....	1		
40	AUD 3323	Washer-tab.....	1		
41	AUC 8483	Screw-fast-idle.....	1		
42	AUC 2451	Spring-screw.....	2	(E)18V/581F/101	
43	AUC 8483	Screw-throttle stop.....	1	TO(+)	
44	AUD 9394	Lever and link-pick-up.....	1	(E)18V/582F/101	
	PTZ 605	Screw-link to jet.....	1	TO(+)	
45	AUD 2164	Lever-cam.....	1	(E)18V/583F/101	
46	AUC 1375	Spring-pick-up lever.....	1	TO(+)	
47	AUD 2432	Spring-cam lever.....	1		
48	AUC 1426	Bolt-pivot.....	1		
49	AUC 8473	Tube-pivot bolt.....	1		
50	AUD 2430	Tube-outer.....	1		
51	AUD 2433	Washer-distance.....	1		
52	AUD 2429	Washer-skid.....	2		

(E)18V/581F/101  
TO(+)  
(E)18V/582F/101  
TO(+)  
(E)18V/583F/101  
TO(+)



Ill. No.	Part No.	DESCRIPTION	Qty.	Change Point	REMARKS
<b>CARBURETTER INSTALLATION-NOT N.AMERICA OR V8-continued</b>					
	CUD 9115	CARBURETTER ASSEMBLY-FRONT (TYPE H1F4)	1		ECE countries
	CUD 9116	CARBURETTER ASSEMBLY-REAR (TYPE H1F4)	1		
46	CUD 2613	Body-front carburetter	1		
46	CUD 2603	Body-rear carburetter	1		
5	AUC 2065	Pin-piston lifting	1		
6	AUC 1151	Spring-pin	1		
7	AUC 1250	Circlip	1		
59	CUD 2736	CHAMBER AND PISTON ASSEMBLY	1		
32	AUD 3308	Screw-needle locking	1		
23	AUC 8114	Cap and damper	1		
24	AUC 4900	Washer(fibre)	1		
31	AUC 4387	Spring-piston-Red	1		
26	AUC 2175	Screw-chamber to body	3		
4	CUD 2787	Jet-front carburetter	1		
4	CUD 2784	Jet-rear carburetter	1		
2	AUD 3567	Bearing-jet	1		
1	AUD 3566	Washer-sealing	1		
3	AUD 3569	Screw-bearing	1		
29	CUD 10 18	Needle-jet(AAU)	1		(E)18V/581Y/101 TO(+)
33	AUD 3306	Spring-needle	1		(E)18V/582Y/101 TO(+)
30	AUD 3775	Guide-needle	1		(E)18V/583Y/101 TO(+)
60	CUD 2795	Needle and seat	1		
16	AUD 3571	Float-front carburetter	1		
16	AUD 3570	Float-rear carburetter	1		
17	CUD 2082	Spindle-float	1		
18	AUC 4127	Washer-spindle	2		
10	CUD 2399	Bi-metal	1		
12	AUD 3584	Screw-bi-metal	1	NLA	
11	AUD 3583	Spring-coil	1		
9	AUD 3585	Screw-adjusting-bi-metal and jet	1		
8	AUD 3586	Ring-sealing	1		
20	AUD 4207	Cover-float chamber	1		
19	AUD 3588	Ring-sealing	1		
	LWZ 303	Washer-spring	4		
22	AUD 3590	Screw-cover to body	4		
36	AUD 3575	Spindle-throttle	1		
61	AUD 4233	Disc-throttle	1		
35	AUC 1358	Screw-disc	2		
34	AUD 3577	Seal-spindle	2		



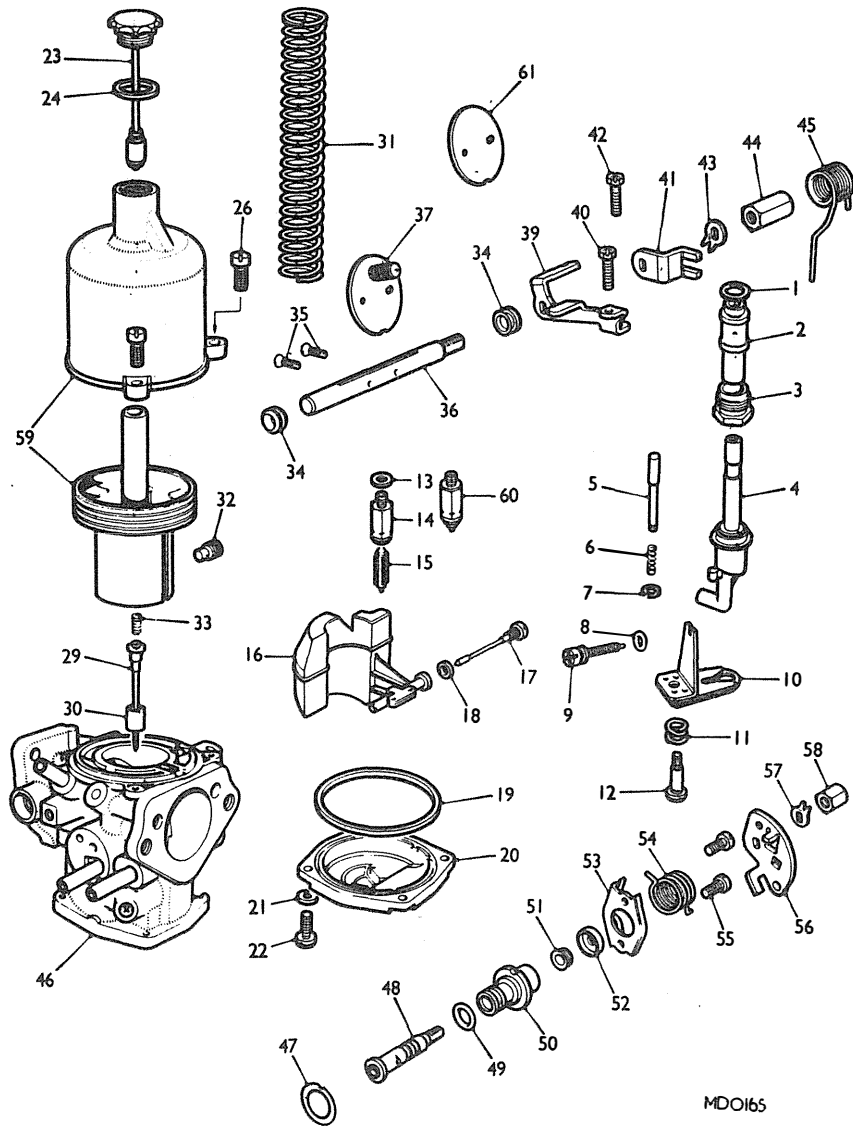


Ill. No.	Part No.	DESCRIPTION	Qty.	Change Point	REMARKS
----------	----------	-------------	------	--------------	---------

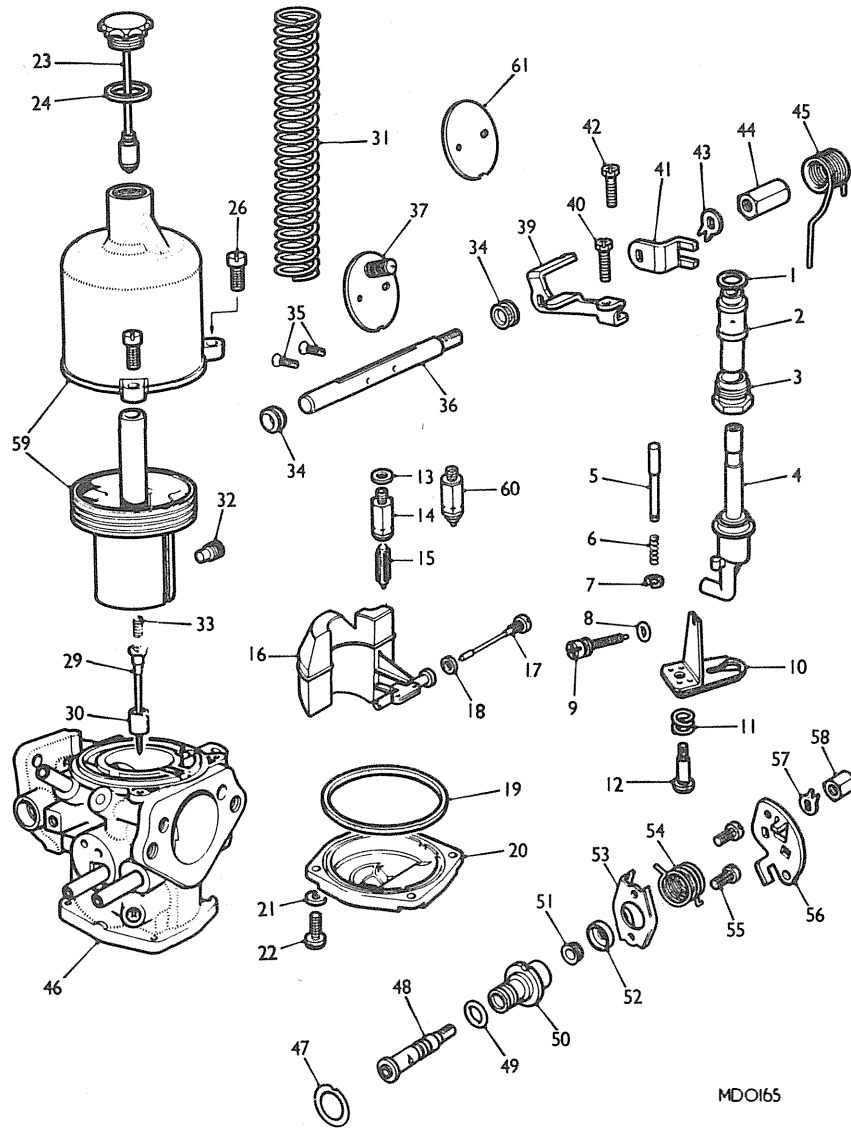
**CARBURETTER INSTALLATION-NOT N.AMERICA OR V8-continued**

48	CUD 2790	Spindle-starter valve .....	1		
51	AUD 3577	Seal-spindle .....	1		
50	AUD 4212	Body-starter valve .....	1		
49	AUD 3602	'O' ring .....	1		
52	AUD 4217	Support-spring.....	NLA		
53	AUD 3604	Plate-valve clamping-front carburetter .....	1		
47	AUD 3605	Gasket-plate .....	1		
55	AUD 3606	Screw .....	NLA		
56	AUD 4285	Lever-cam-carburetter .....	2		
54	AUD 3609	Spring-return-lever .....	1		
57	AUD 3323	Washer-tab .....	1		
58	AUC 1424	Nut .....	1		
39	AUD 3592	Lever-throttle return-front carburetter .....	1		
39	AUD 3591	Lever-throttle return-rear carburetter .....	1		
41	AUD 3518	Lever-lost motion.....	1		
43	AUD 3323	Washer-tab .....	1		
44	AUD 3471	Nut .....	1		
40	AUC 8483	Screw-adjusting-slow running .....	1		
42	AUC 8483	Screw-adjusting-fast idle.....	1		
AJD 8014 Z		Locknut .....	2		
45	AUD 4273	Spring-throttle return-front carburetter .....	1		
45	AUD 4272	Spring-throttle return-rear carburetter .....	1		

(E)18V/581Y/101  
TO(+)  
(E)18V/582Y/101  
TO(+)  
(E)18V/583Y/101  
TO(+)



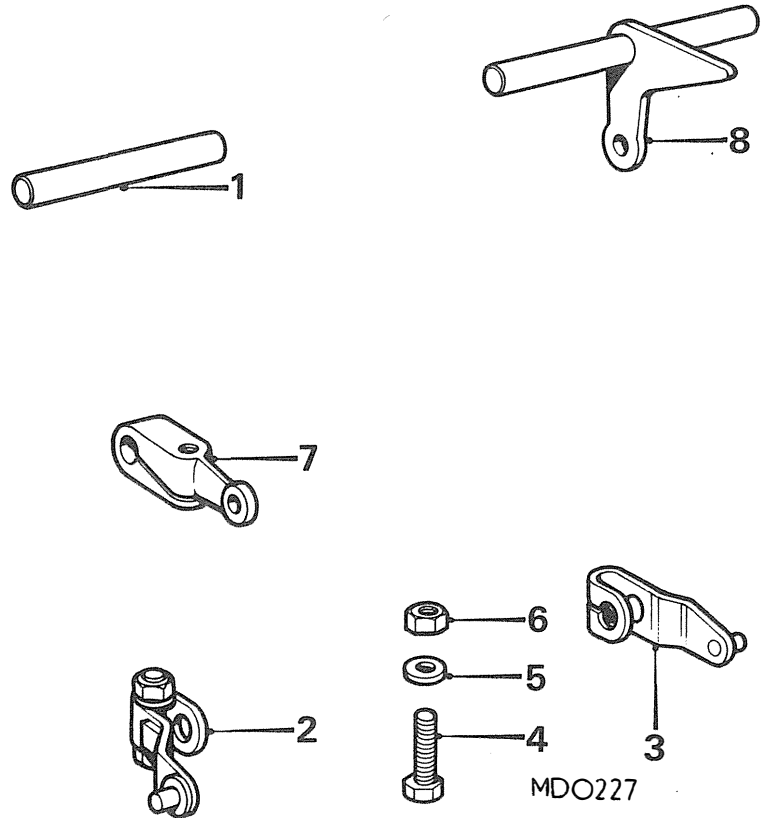
Ill. No.	Part No.	DESCRIPTION	Qty.	Change Point	REMARKS
<b>CARBURETTER INSTALLATION-NOT N.AMERICA OR V8-continued</b>					
CUD 9264		CARBURETTER ASSEMBLY-FRONT (TYPE H1F4)	1	(E)18V/779F/101 ON (E)18V/780F/101 ON	
CUD 9265		CARBURETTER ASSEMBLY-REAR (TYPE H1F4)	1		
HZX 1001		CARBURETTER ASSEMBLY-FRONT (TYPE H1F4)	1	(E)18V/846/H101 ON (E)18V/847/H101 ON	
HZX 1002		CARBURETTER ASSEMBLY-REAR (TYPE H1F4)	1		
5	AUC 2065	Pin-piston lift	1		
6	AUC 1151	Spring-pin	1		
7	AUC 1250	Circlip	1		
59	CUD 2736	CHAMBER AND PISTON ASSEMBLY	1		
32	AUD 3308	Screw-needle locking	1		
23	AUC 8114	Cap and damper	1		
24	AUC 4900	Washer(fibre)	1		
31	AUC 4387	Spring-piston-Red	1		
26	AUC 2175	Screw-chamber to body	3		
4	CUD 2787	Jet-front carburetter	1		
4	CUD 2784	Jet-rear carburetter	1		
2	AUD 3567	Bearing-jet	1		
1	AUD 3566	Washer-sealing	1		
3	AUD 3569	Screw-bearing	1		
29	CUD 1018	Needle-jet-(AAU)	1		(E)18V/779F/101 ON (E)18V/780F/101 ON (E)18V/846/H101 ON (E)18V/847/H101 ON
29	CUD 1051	Needle-jet (ACD)	2		
33	AUD 3306	Spring-needle	1		
30	AUD 4287	Guide-needle	1		
60	CUD 2795	Needle and seat	1		
16	CUD 2774	Float-front carburetter	1		
16	CUD 2773	Float-rear carburetter	1		
17	CUD 2082	Spindle-float	1		
18	AUC 4127	Washer-spindle	2		
10	CUD 2399	Bi-metal	1		
12	AUD 3584	Screw-bi-metal	NLA		
11	AUD 3583	Spring-coil	1		
9	AUD 3585	Screw-adjusting-bi-metal and jet	1		
8	AUD 3586	Ring-sealing	1		
20	AUD 4207	Cover-float chamber	1		
19	AUD 3588	Ring-sealing	1		
LWZ 303		Washer-spring	4		
22	AUD 3590	Screw-cover to body	4		
36	AUD 3575	Spindle-throttle	1		
61	AUD 9808	Disc-throttle	1		
35	AUC 1358	Screw-disc	2		
34	AUD 3577	Seal-spindle	2		



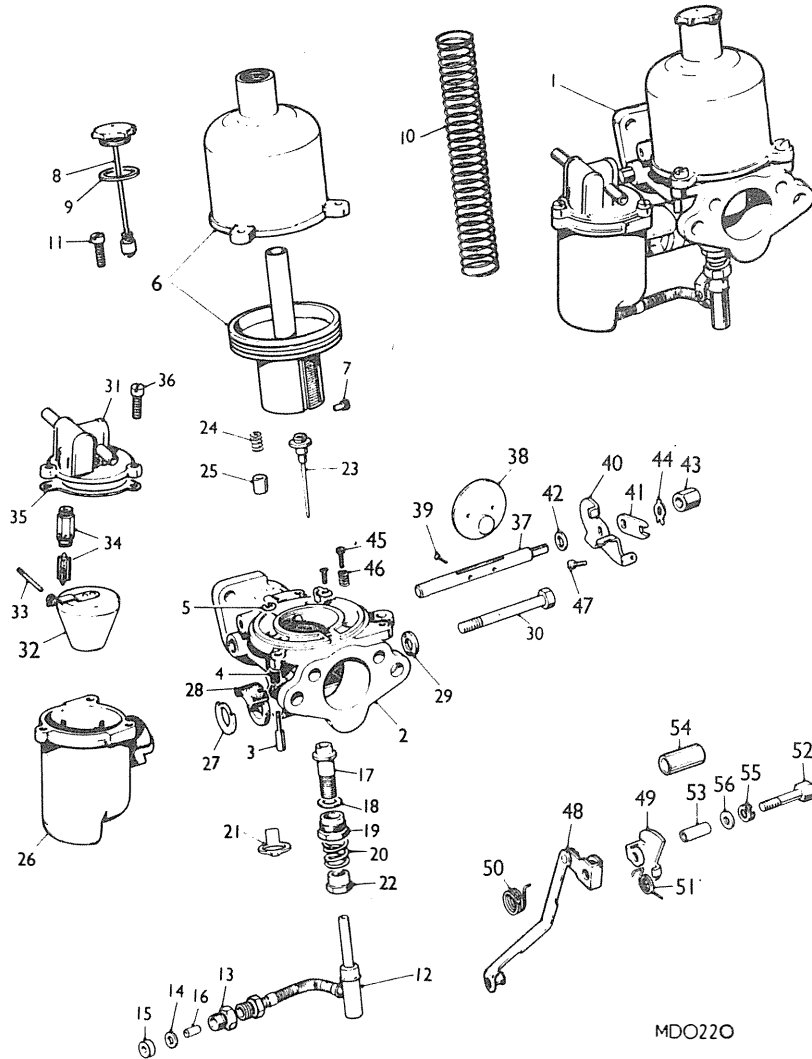
Ill. No.	Part No.	DESCRIPTION	Qty.	Change Point	REMARKS
----------	----------	-------------	------	--------------	---------

**CARBURETTER INSTALLATION-NOT N.AMERICA OR V8-continued**

48	CUD 2790	Spindle-starter valve .....	1		
51	AUD 3577	Seal-spindle .....	1		
50	AUD 4212	Body-starter valve .....	1		
49	AUD 3602	'O' ring .....	1		
52	AUD 4217	Support-spring.....	NLA		
53	AUD 3604	Plate-valve clamping-front carburetter.....	1		
47	AUD 3605	Gasket-plate.....	1		
55	AUD 3606	Screw.....	NLA		
56	AUD 4407	Lever-cam-carburetter-front .....	1		
	AUD 4408	Lever-cam-carburetter-rear .....	1		
54	AUD 4418	Spring-return-lever-front.....	1		
	AUD 4417	Spring-return-lever-rear .....	1		
57	AUD 3323	Washer-tab .....	1		
58	AUC 1424	Nut .....	1		(E)18V/779F/101 ON
39	AUD 3592	Lever-throttle return-front carburetter.....	1		(E)18V/780F/101 ON
39	AUD 3591	Lever-throttle return-rear carburetter.....	1		(E)18V/846/H101 ON
41	AUD 3518	Lever-lost motion.....	2		(E)18V/847/H101 ON
43	AUD 3323	Washer-tab .....	1		
44	AUD 3471	Nut .....	1		
40	AUD 3623	Screw-adjusting-slow running .....	1		
42	AUC 8483	Screw-adjusting-fast idle.....	2		
	AJD 8014 Z	Locknut.....	2		
45	AUD 4273	Spring-throttle return-front carburetter .....	1		
45	AUD 4272	Spring-throttle return-rear carburetter.....	1		



Ill. No.	Part No.	DESCRIPTION	Qty.	Change Point	REMARKS
<b>CARBURETTER INSTALLATION-N.AMERICA</b>					
	AUD 326	CARBURETTER INSTALLATION .....	NLA	(E)18GH/-/101 TO 20289	Use front Carburetter CUD 9027 with rear carburetter CUD 9028.
	AUD 405	CARBURETTER INSTALLATION .....	NLA	(E)18GH/-/20290 (E)18GJ/-/28647 TO (C)G-HN5,G-HD5-219000	Use front Carburetter CUD 9083 with rear Carburetter CUD 9084.
	AUD 465	CARBURETTER INSTALLATION .....	1PR	(C)G-HN5,G-HD5-219001 TO 258000	
	NSP	CARBURETTER INSTALLATION .....	1PR	(E)18V/584Z/101 TO(+) (E)18V/585Z/101 TO(+) (E)18V/672Z/101 ON (E)18V/673Z/101 ON	Use front carburetter CUD 9194 with rear carburetter CUD 9195.
1	AUC 1462	Rod-jet connecting .....	1		
2	AUE 586	LEVER AND PIN ASSEMBLY-FRONT .....	1		
3	AUE 587	LEVER AND PIN ASSEMBLY-REAR .....	1		
	AUE 496	LEVER AND PIN ASSEMBLY-FRONT .....	1		
	AUE 685	LEVER AND PIN ASSEMBLY-REAR .....	1		
4	AJD 1042	Bolt-lever .....	4		
5	AUC 8396	Washer-plain .....	4		
6	AJD 8012 Z	Nut .....	4		
7	AUC 1501	Lever-throttle .....	1		
8	12H 715	Lever-throttle and spindle .....	1		Use prior to 12H 715 (E)18V/584Z/101 TO(+) (E)18V/585Z/101 TO(+) (E)18V/672Z/101 ON (E)18V/673Z/101 ON
4	AJD 1042	Bolt-lever .....	1		
	LWZ 303	Washer-spring .....	1		
6	AJD 8012 Z	Nut .....	1		

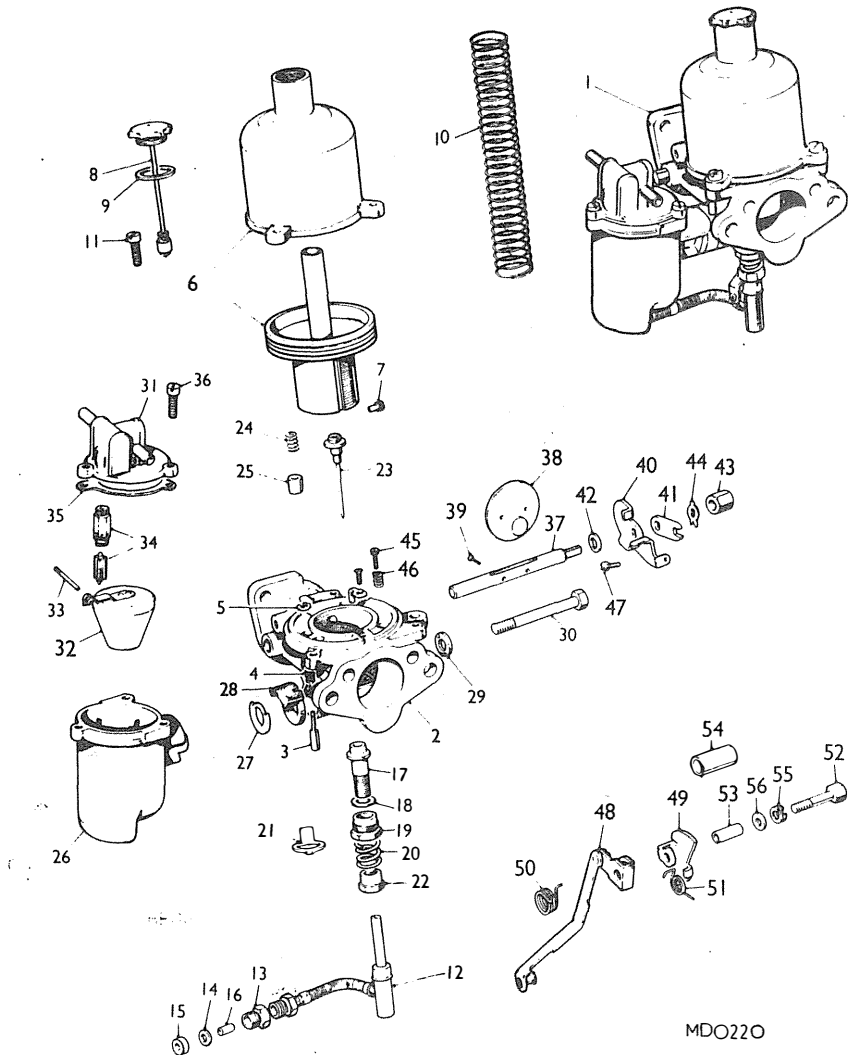


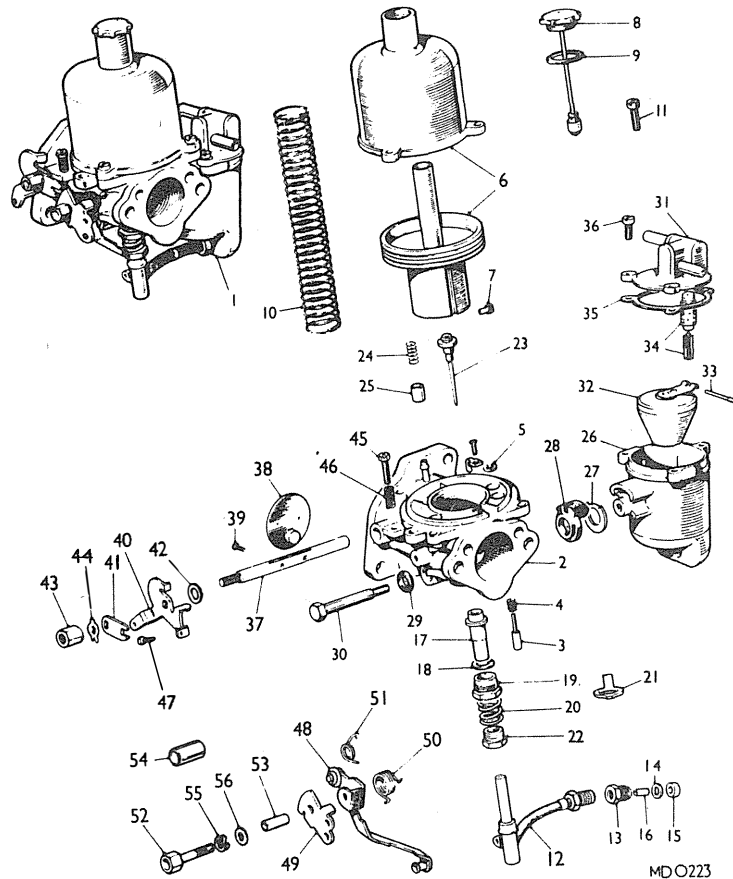
Ill. No.	Part No.	DESCRIPTION	Qty.	Change Point	REMARKS
<b>CARBURETTER INSTALLATION-N.AMERICA-continued</b>					
1	CUD 9027	CARBURETTER ASSEMBLY-FRONT .....	1	(E)18GH/101 TO 20289	Prior to change point. Supply 1 off carburetter, rear CUD 9028 and 2 off plug AUD 405
1	CUD 9083	CARBURETTER ASSEMBLY-FRONT .....	1	(E)18GH/-/20290 (E)18GJ/-/22647 TO (C)G-HN5,G-HD5-219000	
1	CUD 9140	CARBURETTER ASSEMBLY-FRONT .....	1	(C)G-HN5,G -HD5-219001 TO 258000	
2	CUD 2416	Body.....	1		
3	AUC 1249	Pin-piston lifting.....	1		
4	AUC 1151	Spring-pin .....	1		
5	AUC 1250	Circlip-pin .....	1		
6	AUD 9988	CHAMBER AND PISTON ASSEMBLY .....	1		
7	AUD 4008	Screw-needle locking .....	1		
8	AUC 8114	Cap and damper .....	1		
9	AUC 4900	Washer(fibre) .....	1		
10	AUC 4387	Spring-piston-Red .....	1		
11	AUC 2175	Screw-chamber to body.....	3		
12	AUD 9141	JET ASSEMBLY.....	1		
13	AUD 2129	Nut.....	1		
14	AUD 2193	Washer .....	1		
15	AUD 2194	Gland.....	1		
16	AUD 2195	Ferrule.....	1		
17	AUD 3410	Bearing-jet .....	1		
18	AUD 2987	Washer-jet centering .....	NLA	(E)18GH/-/101 TO 20289	
19	AUC 2002	Screw-jet locking.....	1		
20	AUC 2114	Spring-jet locking .....	1		
21	AUD 3235	Tab-locking .....	NLA		
22	AUD 3193	Screw-jet adjusting.....	NLA		
23	CUD 1004	Needle(AAE).....	1		] Use prior to AUC 8461/CUD 1010 (C)G-HN5,G-HD5-219001 TO 258000
22	AUC 8461	Screw-jet adjusting.....	1		
23	CUD 1010	Needle(AAL).....	1		
24	AUD 3306	Spring .....	1		
25	AUD 3836	Guide-needle .....	1		
26	AUC 1310	Chamber-float.....	1		
27	AUC 1329	Washer-support.....	1		
28	AUD 2677	Grommet(rubber).....	1		
29	AUC 1318	Washer(rubber).....	1		
30	AUD 3017	Bolt-float chamber fixing.....	1		

Ill. No.	Part No.	DESCRIPTION	Qty.	Change Point	REMARKS
----------	----------	-------------	------	--------------	---------

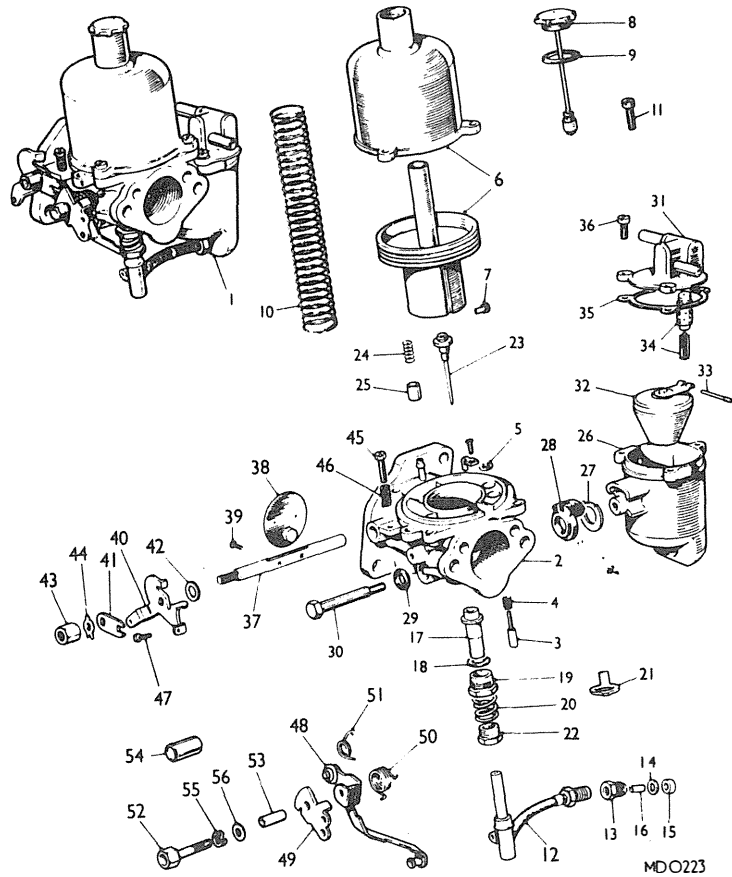
CARBURETTOR INSTALLATION-N.AMERICA-continued

31	AUD 9209	Lid-float chamber	1	(E)18GH/-/101 TO 20289	
32	AUD 9904	Float	1		
33	AUC 1152	Pin-hinge	1		
34	AUD 9096	Needle and seat	1		
35	AUC 8459	Gasket-lid	1		
36	AUC 2175	Screw-lid	3		
	LWZ 303	Washer-spring	3		
37	AUC 1302	Spindle-throttle	1		
38	AUD 9808	Disc and valve-throttle	1		
39	AUC 1358	Screw-disc	2		
40	AUD 2788	Lever-throttle return	1		
41	AUC 1400	Lever-lost motion	1		
42	AUC 2625	Washer-spacing	1		
43	AUC 1424	Nut-lever	1		
44	AUD 3323	Washer-tab	1		
45	AUC 8483	Screw-fast idle	1		
46	AUC 2451	Spring-screw	1		
47	AUD 3010	Screw-throttle stop	NLA		
48	AUD 9092	Lever and link-pick-up	1	(E)18GH/-/101 TO 20289	
48	AUD 9394	Lever and link-pick-up	1	(E)18GH/-/20290 TO(+)	
	PTZ 605	Screw-link to jet	1	(E)18GJ/-/22647 TO(+)	
49	AUD 3346	Lever-cam	1		
50	AUC 8462	Spring-pick-up lever	1		
51	AUD 2431	Spring-cam lever	1		
52	AUC 1426	Bolt-pivot	1		
53	AUC 8473	Tube-pivot bolt	1		
54	AUD 2430	Tube-outer	1		
55	AUD 2429	Washer-skid	1		
56	AUD 2433	Washer-distance	1		



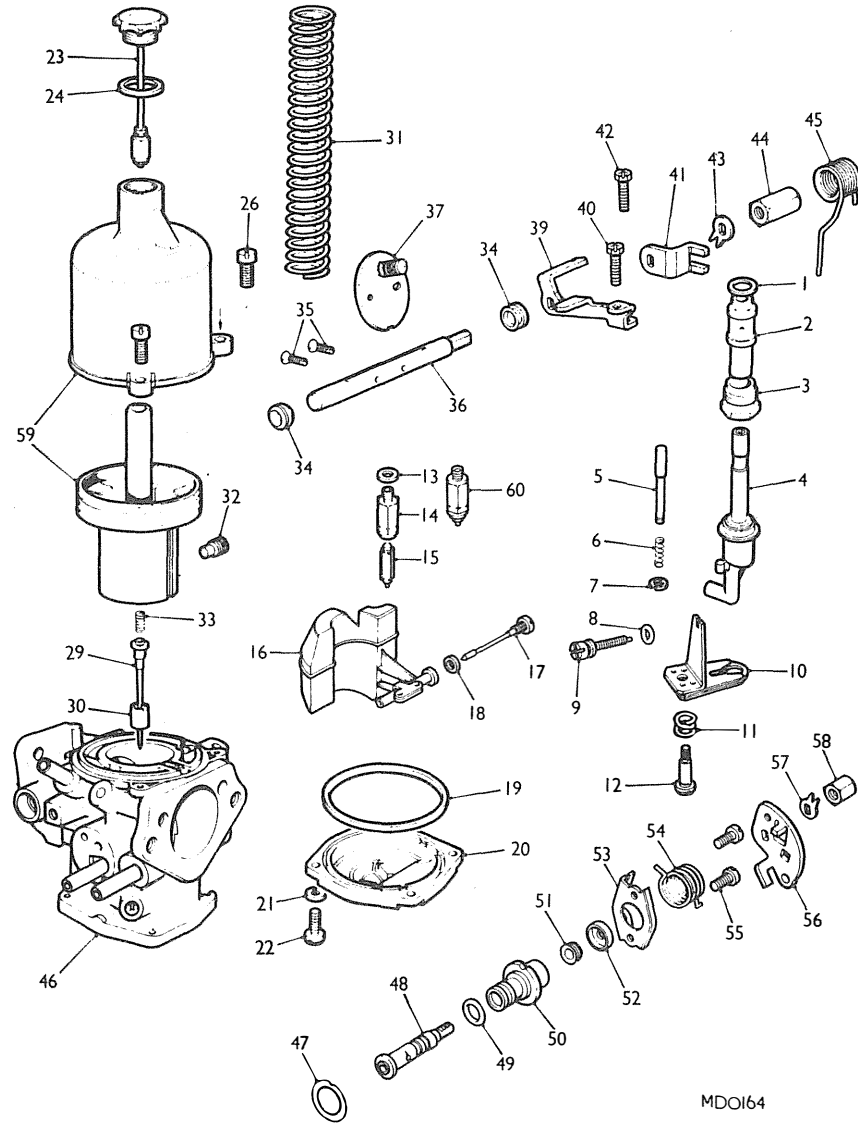


Ill. No.	Part No.	DESCRIPTION	Qty.	Change Point	REMARKS
<b>CARBURETTER INSTALLATION-N.AMERICA-continued</b>					
1	CUD 9028	CARBURETTER ASSEMBLY-REAR.....	1	(E)18GH/-/101 TO 20289	Prior to change point. Supply 1 off carburetter front CUD 9027 and 2 off plug AUD 4051
1	CUD 9084	CARBURETTER ASSEMBLY-REAR.....	1	(E)18GH/-/20290 (E)18GJ/-/22647 TO (C)G-HN5,G-HD5-21900	
1	CUD 9141	CARBURETTER ASSEMBLY-REAR.....	1	(C)G-HN5,G-HD5-219001 TO 258000	
2	CUD 2427	Body.....	1		
3	AUC 1249	Pin-piston lifting.....	1		
4	AUC 1151	Spring-pin.....	1		
5	AUC 1250	Circlip-pin.....	1		
6	AUD 9988	CHAMBER AND PISTON ASSEMBLY.....	1		
7	AUD 4008	Screw-needle locking.....	1		
8	AUC 8114	Cap and damper.....	1		
9	AUC 4500	Washer(fibre).....	1		
10	AUC 4387	Spring-piston-Red.....	1		
11	AUC 2175	Washer-chamber to body.....	3		
12	AUD 9142	JET ASSEMBLY.....	1		
13	AUD 2129	Nut.....	1		
14	AUD 2193	Washer.....	1		
15	AUD 2194	Gland.....	1		
16	AUD 2195	Ferrule.....	1		
17	AUD 3410	Bearing-jet.....	1		
18	AUD 2987	Washer-jet centering.....	NLA	(E)18GH/-/101 TO 20289	
19	AUC 2002	Screw-jet locking.....	1		
20	AUC 2114	Spring-jet locking.....	1		
21	AUD 3235	Tab-locking.....	NLA		
22	AUD 3193	Screw-jet adjusting.....	NLA		
23	CUD 1004	Needle(AAE).....	1		] Use prior to AUC 8461/cUD 1010 (C)G-HN5,G-HD5-219001 TO 258000
23	AUC 8461	Screw-jet adjusting.....	1		
23	CUD 1010	Needle(AAL).....	1		
24	AUD 3306	Spring.....	1		
25	AUD 3836	Guide-needle.....	1		
26	AUC 1310	Chamber-float.....	1		
27	AUC 1329	Washer-support.....	1		
28	AUD 2676	Grommet(rubber).....	1		
29	AUC 1318	Washer(rubber).....	1		
30	AUD 3017	Bolt-float chamber fixing.....	1		

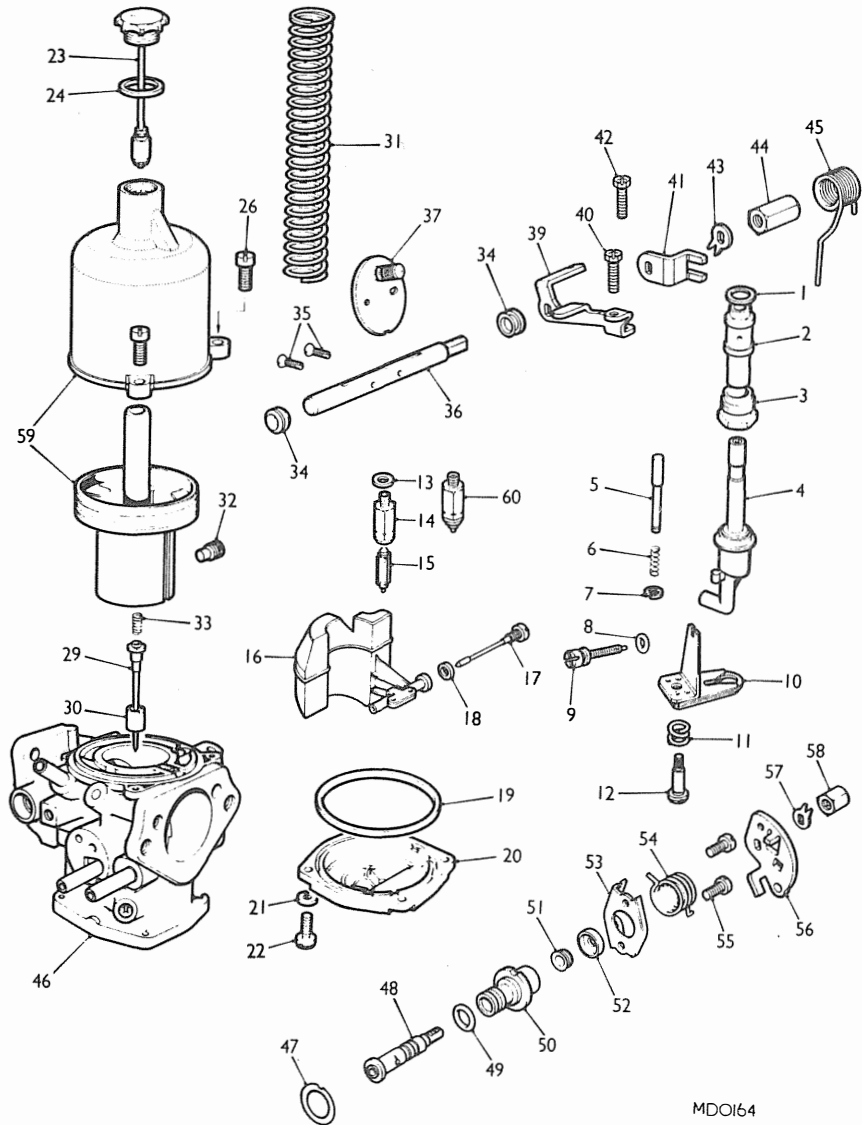


Ill. No.	Part No.	DESCRIPTION	Qty.	Change Point	REMARKS
<b>CARBURETTER INSTALLATION-N.AMERICA-continued</b>					
31	AUD 9210	Lid-float chamber .....	1	(E)18GH/-/101 TO 20289	
31	AUD 9651	Lid-float chamber .....	1	(E)18GH/-/20290 TO(+) (E)18GJ/-/22647 TO(+)	
32	AUD 9904	Float .....	1		
33	AUC 1152	Pin-hinge.....	1		
34	AUD 9096	Needle and seat.....	1		
35	AUC 8459	Gasket-lid .....	1		
36	AUC 2175	Screw-lid .....	3		
	LWZ 303	Washer-spring .....	3		
37	AUC 1302	Spindle-throttle.....	1		
38	AUD 9808	Disc and valve-throttle .....	1		
39	AUC 1358	Screw-disc .....	2		
40	AUD 2787	Lever-throttle return .....	1		
41	AUC 1400	Lever-lost motion.....	1		
42	AUC 2625	Washer-spacing .....	1		
43	AUC 1424	Nut-lever .....	1		
44	AUD 3323	Washer-tab .....	1		
45	AUC 8483	Screw-fast-idle.....	1		
46	AUC 2451	Spring-screw.....	1		
47	AUD 3010	Screw-throttle stop.....	NLA		
48	AUD 9093	Lever and link-pick-up.....	1	(E)18GH/-/101 TO 20289	
48	AUD 9393	Lever and link-pick-up.....	1	(E)18GH/-/20290 TO(+) (E)18GJ/-/22647 TO(+)	
	PTZ 605	Screw-link to jet.....	1		
49	AUD 3347	Lever-cam .....	1		
50	AUC 1375	Spring-pick-up lever .....	1		
51	AUD 2432	Spring-cam lever .....	1		
52	AUC 1426	Bolt-pivot .....	1		
53	AUC 8473	Tube-pivot bolt .....	1		
54	AUD 2430	Tube-outer .....	1		
55	AUD 2429	Washer-skid.....	1		
56	AUD 2433	Washer-distance.....	1		





Ill. No.	Part No.	DESCRIPTION	Qty.	Change Point	REMARKS
<b>CARBURETTER INSTALLATION-N.AMERICA-continued</b>					
CUD 9194		CARBURETTER ASSEMBLY-FRONT (TYPE H1F4)	1		(E)18V/584Z/L101 TO(+) (E)18V/585Z/L101 TO(+) (E)18V/672Z/101 ON (E)18V/673Z/L101 ON
CUD 9195		CARBURETTER ASSEMBLY-REAR (TYPE H1F4)	1		
46 CUD 2613		Body-front carburetter	1		
46 CUD 2604		Body-rear carburetter	1		
5 AUC 2065		Pin-piston lifting	1		
6 AUC 1151		Spring-pin	1		
7 AUC 1250		Circlip	1		
59 CUD 2736		CHAMBER AND PISTON ASSEMBLY	1		
32 AUD 3308		Screw-needle locking	1		
23 AUC 8114		Cap and damper	1		
24 AUC 4900		Washer(fibre)	1		
31 AUC 4387		Spring-piston-Red	1		
26 AUC 2175		Screw-chamber to body	3		
4 CUD 2787		Jet-front carburetter	1		
4 CUD 2784		Jet-rear carburetter	1		
2 AUD 3567		Bearing-jet	1		
1 AUD 3566		Washer-sealing	1		
3 AUD 3569		Screw-bearing	1		
29 CUD 1018		Needle-jet(AAU)	1		(E)18V/584Z/L101 TO(+) (E)18V/585Z/L101 TO(+)
29 CUD 1027		Needle-jet(ABD)	1		(E)18V/672Z/L101 ON (E)18V/673Z/L101 ON
33 AUD 3306		Spring-needle	1		
30 AUD 3775		Guide-needle	1		
60 CUD 2795		Needle and seat	1		
16 AUD 3571		Float-front carburetter	1		
16 AUD 3570		Float-rear carburetter	1		
17 CUD 2082		Spindle-float	1		
10 CUD 2399		Bi-metal	1		
12 AUD 3584		Screw-bi-metal	NLA		
11 AUD 3583		Spring-coil	1		
9 AUD 3585		Screw-adjusting-bi-metal and jet	1		
8 AUD 3586		Ring-sealing	1		
20 AUD 4207		Cover-float chamber	1		
19 AUD 3588		Ring-sealing	1		
LWZ 303		Washer-spring	4		
22 AUD 3590		Screw-cover to body	4		
36 AUD 3575		Spindle-throttle	1		
37 CUD 2717		Disc-throttle	1		(E)18V/584Z/L101 TO(+) (E)18V/585Z/L101 TO(+)
37 AUD 9808		Disc-throttle	1		(E)18V/672Z/L101 ON (E)18V/673Z/L101 ON
35 AUC 1358		Screw-disc	2		
34 AUD 3577		Seal-spindle	2		

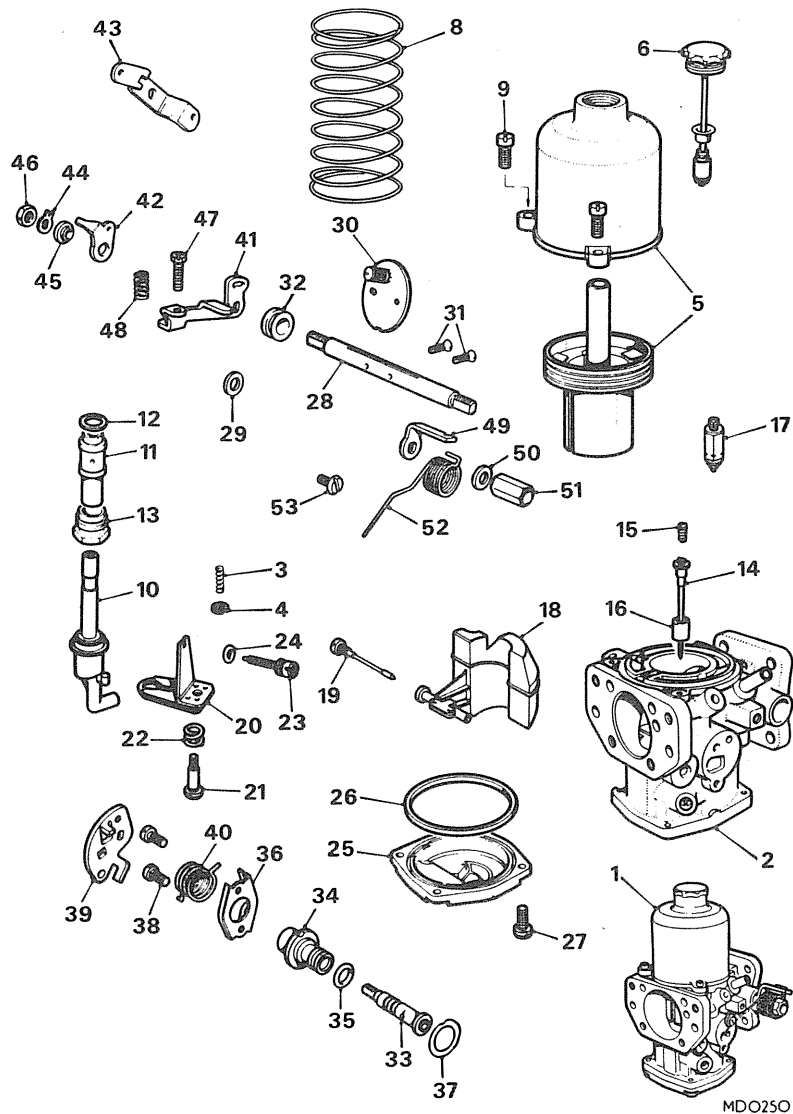


MDOI64

III. No.	Part No.	DESCRIPTION	Qty.	Change Point	REMARKS
----------	----------	-------------	------	--------------	---------

**CARBURETTER INSTALLATION-N.AMERICA-continued**

48	CUD 2790	Spindle-starter valve .....	1		
51	AUD 3577	Seal-valve .....	1		
50	AUD 4212	Body-starter valve .....	1		
49	AUD 3602	'O' ring .....	1		
52	AUD 4217	Support-spring.....	NLA		
53	AUD 3604	Plate-valve clamping-front carburetter .....	1		
53	AUD 3603	Plate-valve clamping-rear carburetter .....	1		
47	AUD 3605	Gasket-plate .....	1		
55	AUD 3606	Screw .....	NLA		
56	AUD 4285	Lever-cam-carburetter .....	2		
54	AUD 3609	Spring-return-lever .....	1		
57	AUD 3323	Washer-tab .....	1		
58	AUC 1424	Nut .....	1		
39	AUD 3592	Lever-throttle return-front carburetter .....	1		
39	AUD 3591	Lever-throttle return-rear carburetter .....	1		
41	AUD 3518	Lever-lost motion.....	1		
43	AUD 3323	Washer-tab .....	1		
44	AUD 3471	Nut .....	1		
40	AUC 8483	Screw-adjusting-slow running.....	1		
42	AUC 8483	Screw-adjusting-fast idle.....	1		
AJD 8014 Z		Locknut .....	2		
45	AUD 4273	Spring-throttle return-front carburetter .....	1		
45	AUD 4272	Spring-throttle return-rear carburetter .....	1		



MDO250

Ill. No.	Part No.	DESCRIPTION	Qty.	Change Point	REMARKS
----------	----------	-------------	------	--------------	---------

**CARBURETTER INSTALLATION-V8**

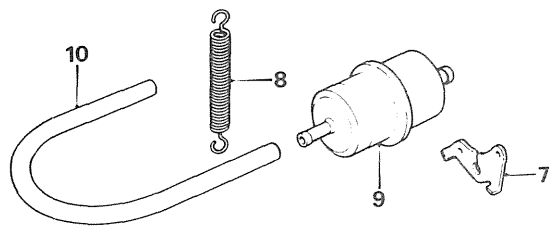
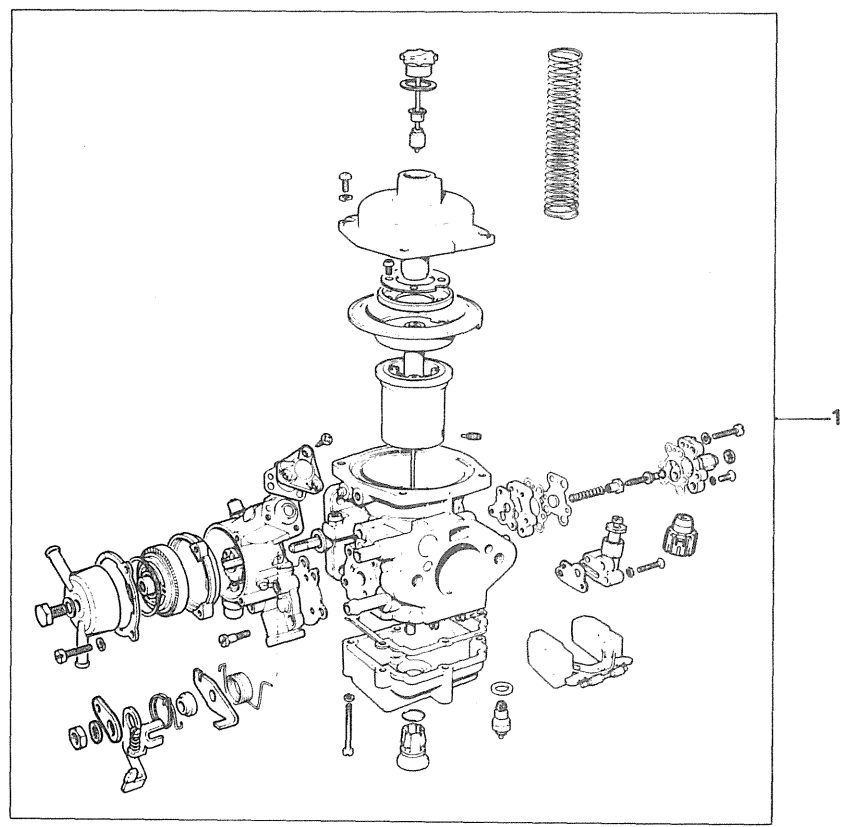
NSP		CARBURETTER INSTALLTION.....	1PR		
1	CUD 9266	CARBURETTER ASSEMBLY-RH .....	1		
	CUD 9267	CARBURETTER ASSEMBLY-LH.....	1		
2	CUD 2921	Body-RH.....	1		
	CUD 2920	Body-LH.....	1		
3	AUC 1151	Spring-pin .....	1		
4	AUD 4150	Circlip .....	1		
5	CUD 2948	Chamber and piston.....	1		
6	CUD 2902	Cap and damper.....	1		
8	AUD 4398	Spring-piston-Yellow .....	1		
9	AUC 5156	Screw-chamber to body.....	3		
10	CUD 2785	Jet-RH .....	1		
	CUD 2788	Jet-LH .....	1		
11	AUD 3907	Bearing-jet .....	1		
12	AUD 3566	Washer-sealing .....	1		
13	AUD 3569	Screw-bearing.....	1		
14	CUD 1142	Needle(BBU).....	1		
15	AUD 3306	Spring.....	1		
16	AUD 4288	Guide.....	1		
17	CUD 2795	Needle and seat.....	1		
18	CUD 2773	Float-RH .....	1		
	CUD 2774	Float-LH .....	1		
19	CUD 2082	Spindle-float .....	1		
20	CUD 2399	Bi-metal.....	1		
21	AUD 3584	Screw-bi-metal .....	NLA		
22	AUD 3583	Spring-coil.....	1		
23	AUD 3585	Screw-adjusting-bi-metal and jet .....	1		
24	AUD 3586	Ring-sealing .....	1		
25	AUD 4207	Cover-float chamber.....	1		
26	AUD 3588	Ring-sealing-cover.....	1		
27	AUD 3590	Screw-cover to body .....	4		
	LWZ 303	Washer-spring .....	4		
28	AUD 4376	Spindle-throttle .....	1		
29	AUD 4369	Washer-spindle.....	1		
30	AUD 9809	Disc-throttle .....	1		
31	AUC 1358	Screw-throttle disc .....	2		
32	AUD 3577	Seal-throttle .....	2		

Ill. No.	Part No.	DESCRIPTION	Qty.	Change Point	REMARKS
----------	----------	-------------	------	--------------	---------

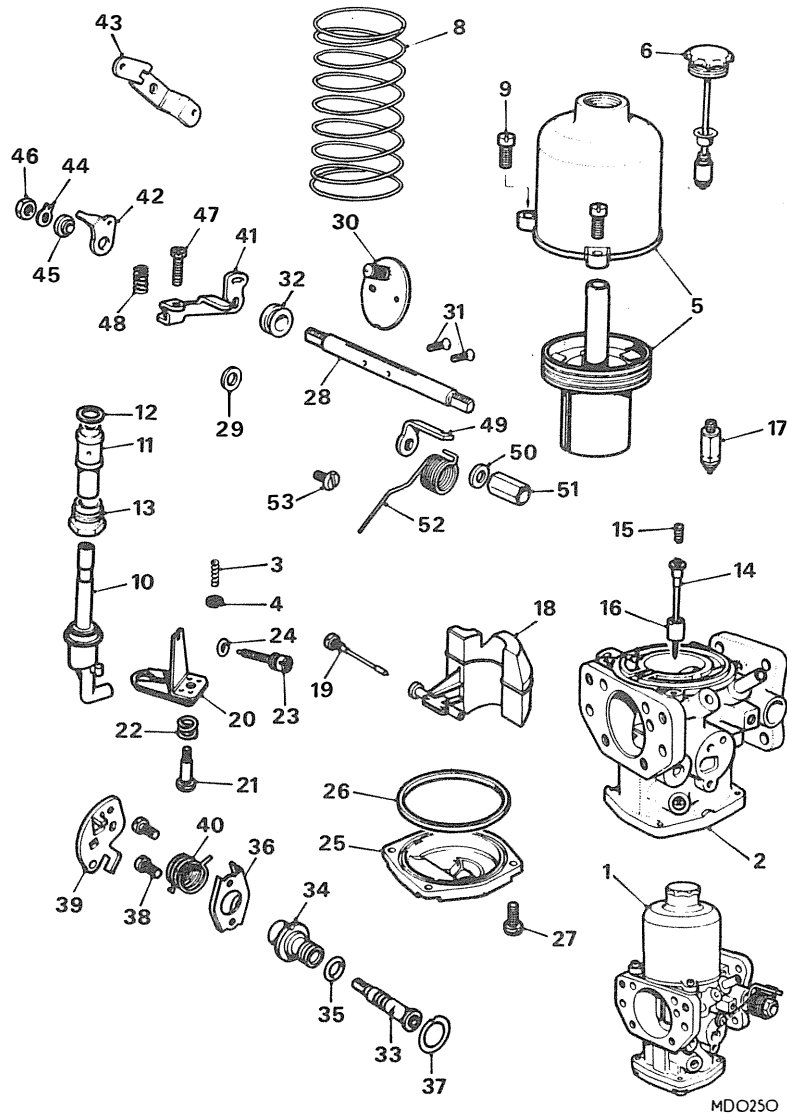
**CARBURETTER INSTALLATION-N.AMERICA-continued.**

1	AAU 1407	Carburetter zenith-federal.....	1		
1	13H 9562	Carburetter zenith-California .....	1		
		<b>KIT-CARBURETTER</b>			
2	BHM 1079	Needle valve.....	1		
3	BHM 1081	Gasket pack .....	1		
4	BHM 1080	Gasket pack .....	1		
5	BHM 1077	Emission, 12000 miles .....	1		
6	BHM 1082	Emission, 24000 miles .....	1		
7	BHH 1793	Lever-throttle return spring.....	1		
8	BHH 1781	Spring-throttle return .....	1		
9	BHA 4952	Filter-fuel.....	1		
10	37H 6844 M	Pipe-filter to carburetter .....	1		

Cut to required length



MDG388A



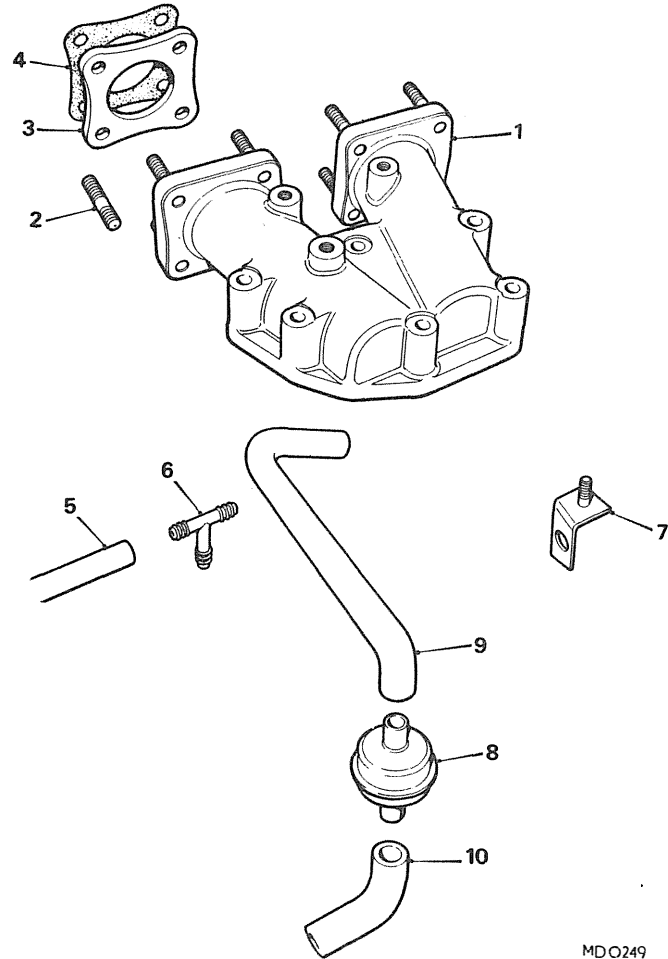
MDO250

III. No.	Part No.	DESCRIPTION	Qty.	Change Point	REMARKS
----------	----------	-------------	------	--------------	---------

**CARBURETTER INSTALLATION-V8-continued**

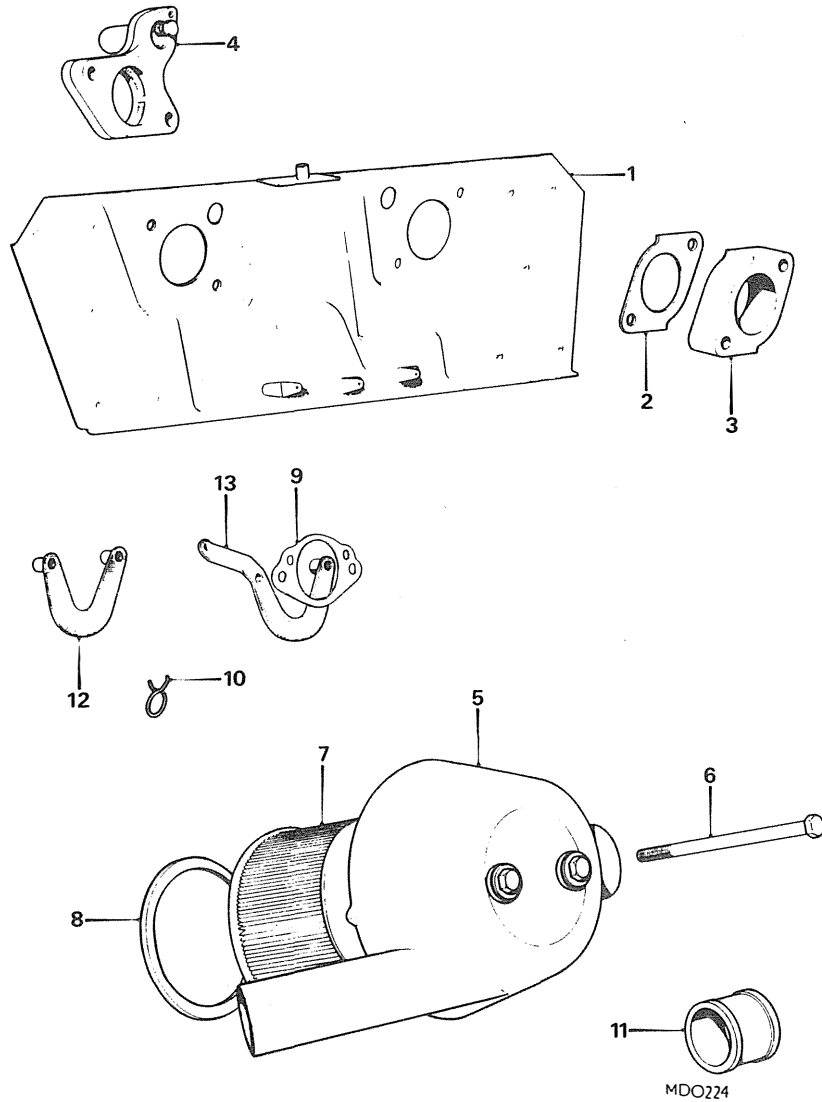
	CUD 2926	Spindle-starter valve.....	NLA		
32	AUD 3577	Seal-spindle.....	1		
34	AUD 4245	Valve body-starter.....	1		
35	AUD 3602	O ring-seal.....	1		
36	AUD 3603	Plate-valve clamping-RH.....	1		
	AUD 3604	Plate-valve clamping-LH.....	1		
37	AUD 3605	Gasket-plate.....	1		
38	AUD 3606	Screw-plate fixing.....	NLA		
39	AUD 4407	Lever-cam-RH.....	1		
	AUD 4408	Lever-cam-LH.....	1		
40	AUD 4417	Spring-return-cam lever-RH.....	1		
	AUD 4418	Spring-return-cam lever-LH.....	1		
	AJD 8104 Z	Nut.....	1		
41	AUD 4374	Lever-throttle return-RH.....	NLA		
	AUD 4375	Lever-throttle return-LH.....	NLA		
42	AUD 4377	Lever-lost motion-RH.....	1		
43	AUD 4400	Lever-throttle-LH.....	1		
44	AUD 3323	Washer-tab.....	1		
45	AUD 4247	Bush-RH carburetter.....	NLA		
46	AJD 8104 Z	Nut.....	1		
47	AUC 8483	Screw-adjusting-slow running.....	1		
48	AUC 2451	Spring.....	1		
49	AUD 4380	Anchor-spring-RH.....	1		
	AUD 4379	Anchor-spring-LH.....	1		
50	AUD 4369	Washer.....	1		
44	AUD 3323	Washer-tab.....	1		
51	AUD 3471	Nut.....	1		
52	AUD 4272	Spring-LH carburetter.....	1		
	AUD 4273	Spring-RH carburetter.....	1		
53	AUD 4381	Screw-pan head.....	1		

MGB



MGB TOURER AND GT

Ill. No.	Part No.	DESCRIPTION	Qty.	Change Point	REMARKS
<b>CARBURETTER FITTINGS-V8</b>					
1	BHH 988	ADAPTOR ASSEMBLY-CARBURETTER .....	1		
2	252514	Stud .....	8		
	WC 108051	Washer-plain .....	6		
	WL 600051	Washer-spring .....	6		
	NH 605041	Nut .....	6		
3	610849	Insulator-carburetter .....	2		
4	242318	Gasket-carburetter .....	4		
	WL 600051	Washer-spring .....	8		
	NH 605041	Nut-carburetter to adaptor .....	8		
5	37H 6844 M	Hose-vent and carburetter feed .....	A/R		Supplied in multiples of metres
6	BHA 4752	T'piece-vent hose .....	1		
	BHH 1570	Extension-vent pipe .....	1		
8	603330	Trap-flame .....	2		
9	BHH 1238	Hose-carburetter to flame trap .....	2		
10	BHH 1237	Hose-flame trap to rocker covers .....	2		

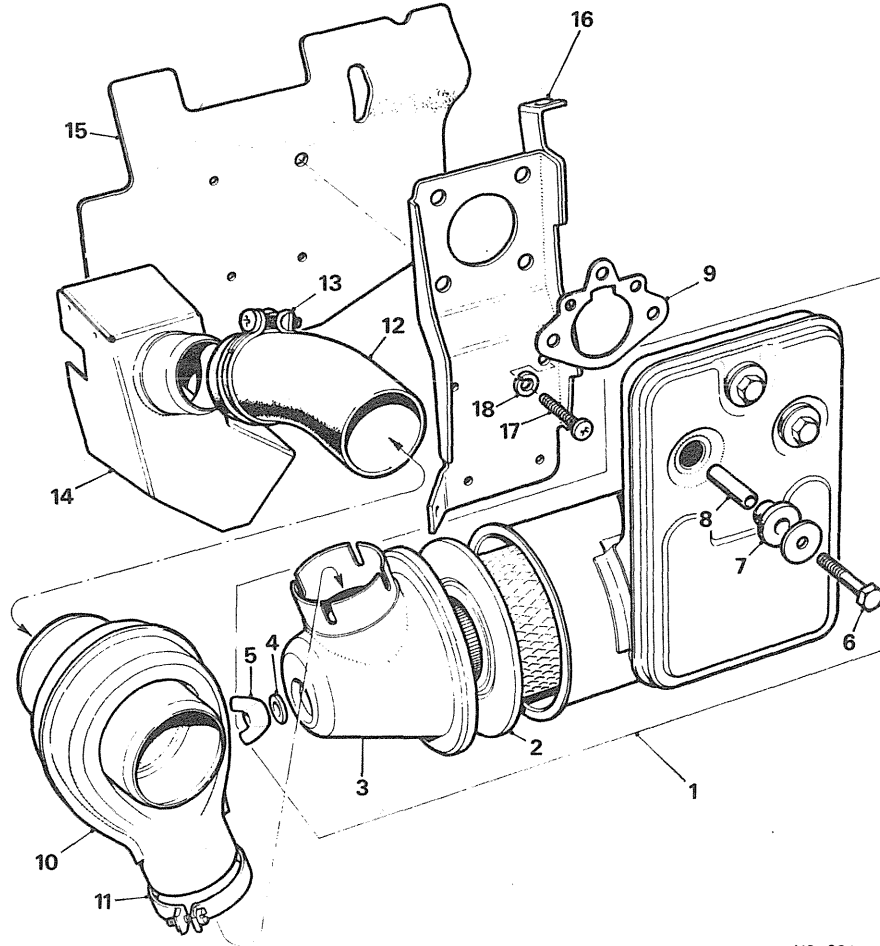


Ill. No.	Part No.	DESCRIPTION	Qty.	Change Point	REMARKS
----------	----------	-------------	------	--------------	---------

**AIR CLEANER,HEAT SHIELD,INDUCTION HEATER-NOT V8**

1	12H 719	Shield-heat.....	1		
1	12H 2596	Shield-heat.....	1		Automatic
2	AEC 2083	Gasket-heat shield and carburetter.....	6		
3	12H 712	Piece-distance-carburetter.....	2		Use when induction heater is not fitted
3	1H 1257	Piece-distance-carburetter.....	2		Use when induction heater is fitted
4	AUD 9418	Heater-induction.....	2		
<b>CLEANER ASSEMBLY-AIR</b>					
5	AHH 7354	Front.....	1	] Use prior to AIR CLEANERS BHH 546 to 549 and BHH 665 and BHH 666	] Not UK or N.America
	BHH 154	Rear.....	1		
5	BHH 546	Front.....	1	] (C)G-HN5,G-HD5-258001 ON	] UK only
	BHH 547	Rear.....	1		
5	BHH 548	Front.....	1	] (C)G-HN5,G-HD5-258001 TO 332032	] N.America only
	BHH 549	Rear.....	1		
	BHH 546	Front.....	1	] (C)G-HN5,G-HD5-332033 ON	] N.America only
	BHH 547	Rear.....	1		
5	BHH 665	Front.....	1	] (C)G-HN5,G-HD5-258001 ON	] N.America only
	BHH 666	Rear.....	1		
6	37H 7054	Bolt.....	4		
6	17H 2541	Bolt.....	4		
	PWZ 205	Washer-plain.....	4		
7	GFE 1003	Element-air cleaner.....	2		
8	17H 2544	Seal(rubber).....	2		
9	12G 2125	Gasket-cleaner to carburetter.....	2		
10	ACA 5290	Clip-hose.....	NLA		
11	AHH 6465	Seal air cleaner coupling.....	1		
12	AHH 6732	Plate-rear air cleaner.....	1	] (C)G-HN3,G-HD3 101 TO 138400	] (C)G-HN4-138401 TO 187210
13	AHH 6731	Plate-front air cleaner and choke control bracket.....	1		

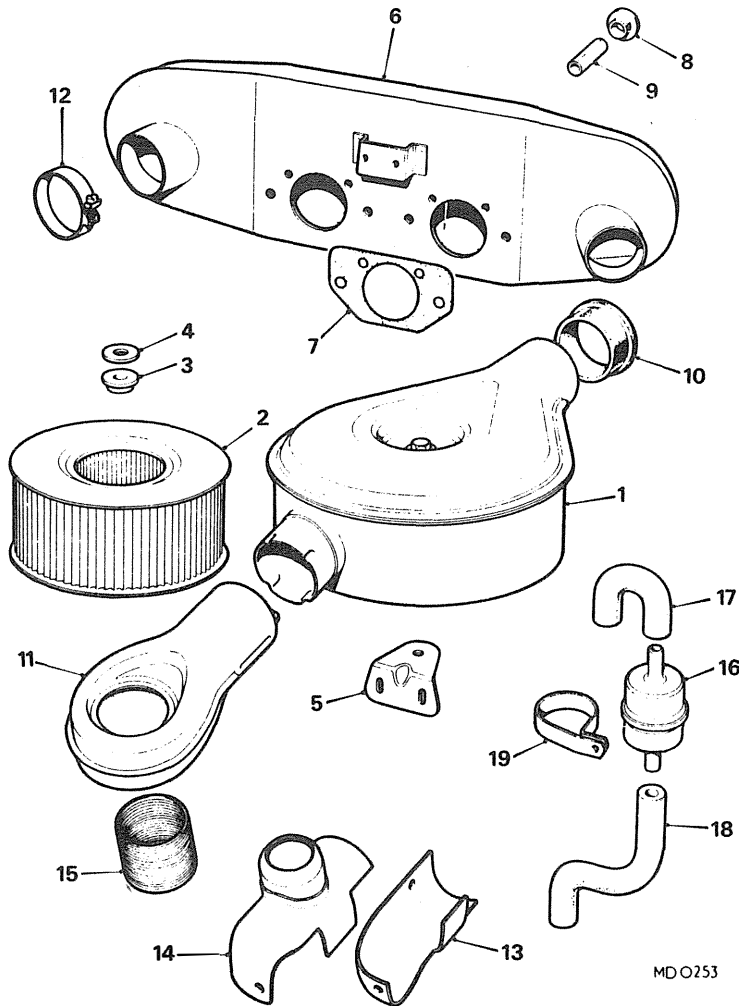
(C)G-HN5-187211 TO 332032 UK,258000 NOT UK.  
(C)G-HD4-138401 TO 187840  
(C)G-HD5-18741 TO 332032 UK,258000 NOT UK.



MD0396

Ill. No.	Part No.	DESCRIPTION	Qty.	Change Point	REMARKS
<b>AIR CLEANER AND FITTING-N.AMERICA-1975 ON</b>					
1	37H 8850	Body and bowl-air cleaner .....	1		1975 1976
2	GFE 1062	Element .....	1		
3	AAU 3046	END COVER ASSEMBLY .....	1		
4	12A 1437	Washer-fibre .....	1		
5	12A 1435	Nut-wing .....	1		
6	37H 8853	Bolt .....	3		
7	27H 3360	Grommet .....	3		
8	37H 8854	Spacer .....	3		
1	BHH 1990	AIR CLEANER ASSEMBLY .....	1		
2	GFE 1062	Element .....	1		
3	AAU 3046	END COVER ASSEMBLY .....	1		
4	12A 1437	Washer-fibre .....	1		
5	12A 1435	Nut-wing .....	1		
6	37H 8853	Bolt .....	3		
7	27H 3360	Grommet .....	3		
8	37H 8854	Spacer .....	3		
9	12H 4271	Gasket-air cleaner to carburetter .....	1		
10	12H 4846	Air temperature control device .....	1		
11	2H 2628	Clip .....	1		
12	12H 4344	Tube-device to hot air shroud .....	1		
13	HCS 134	Clip-tube .....	2		
14	LAM 1006	Shroud-hot air hose-side cover to carburetter .....	1		
15	BHH 1762	Heat-shield .....	1		
16	BHH 1696	Plate-abutment-heatshield .....	1		
17	PMZ 310	Screw .....	2		
18	WL 700101	Washer .....	2		





Ill. No.	Part No.	DESCRIPTION	Qty.	Change Point	REMARKS
----------	----------	-------------	------	--------------	---------

**AIR CLEANER AND FITTINGS-V8**

1	BHH 1161	CLEANER ASSEMBLY-AIR.....	2		
2	GFE 1054	Element-air cleaner.....	2		
3	27H 3360	Grommet.....	2		
4	27H 3463	Washer.....	2		
	BH 605281	Bolt.....	2		
5	BHH 1152	Bracket-air cleaner.....	2		
	ZCS 505	Screw-bracket to rocker cover.....	4		
	WL 600051	Washer.....	4		
6	BHH 885	Air box.....	1		
7	612435	Gasket-box to carburetter.....	2		
	HZS 508	Screw-box to carburetter.....	2		
	PWZ 105	Washer-plain.....	2		
	WL 600051	Washer-spring.....	2		
8	BHH 1174	Grommet-air box to carburetter centre fixing.....	2		
9	BHH 1173	Spacer.....	2		
	PWZ 205	Washer-plain.....	2		
10	BHH 1162	Connector-air cleaner to air box.....	2		
11	BHH 1163	Control-air temperature.....	NLA		
12	GHC 1622	Clip.....	4		
13	BHH 1247	Shroud-hot air-RH.....	1		
14	BHH 1297	Shroud-hot air-top-RH.....	1		
	BHH 1248	Shroud-hot air-LH.....	1		
	BHH 1298	Shroud-hot air-top-LH.....	1		
15	BHH 1255	Connector-shroud to air temperature control.....	2		
	SH 505051	Screw-shroud to manifold.....	4		
	WA 108051	Washer-plain.....	4		
	WL 600051	Washer-spring.....	4		
16	603183	Filter-air.....	1		
17	BHH 1213	Hose-vent-filter.....	1		
18	BHH 1172	Hose-vent-filter to crankcase.....	1		
19	603185	Clip-filter to air box.....	1		
	LWZ 204	Washer-spring.....	1		
	PWZ 204	Washer-plain.....	1		
	NH 604041	Washer-nut.....	1		